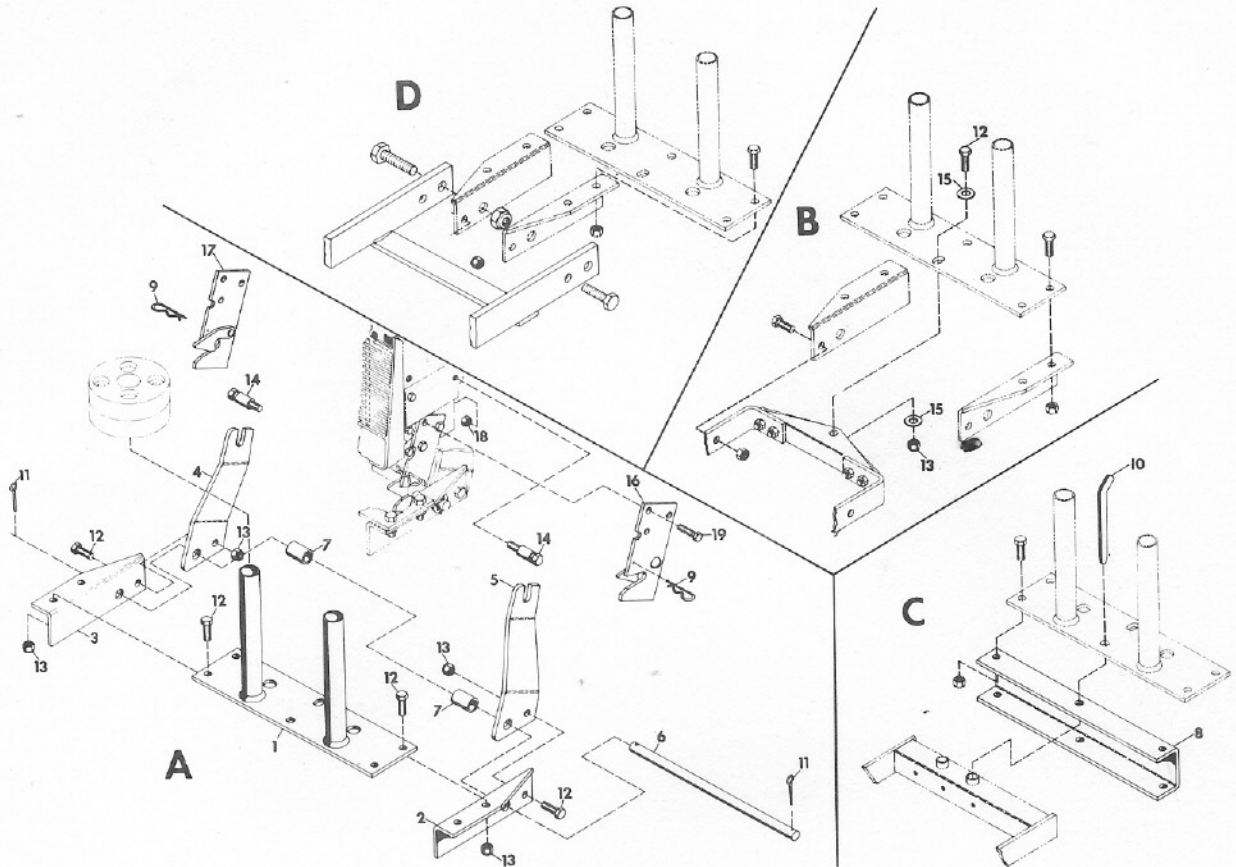


# GRAVELY ILLUSTRATED PARTS LIST

NAME: WEIGHT RACK

PART NUMBER(S): 20443



Item No.	Part No.	Qty.	Description
1	20440A1	1	Support, Weight Weldment
2	20436P1	1	Angle, Support L.H.
3	20437P1	1	Angle, Support R.H.
4	20441P1	1	Support R.H.
5	20442P1	1	Support L.H.
6	20434P1	1	Shaft
7	20435P1	2	Spacer
8	20439P1	1	Bracket
9	10405P1	2	Pin, Hair, Cotter
10	18864P1	1	Pin, Hitch
11	137228	2	Pin, Cotter; 5/32" x 1-1/2"
12	180177	6	Bolt, Hex; 1/2-13 x 1-1/2
13	435507	6	Nut, Lock; 1/2-13 Washer Insert Hex
14	11279P1	2	Pin, Latch
15	120396	2	Washer, Flat; 17/32 x 1-1/16 x .095
16	11698A1	1	Bracket, Front Attachment Weldment L.H.
17	11697A1	1	Bracket, Front Attachment Weldment R.H.
18	120378	4	Nut, Hex; 1/2-13
19	180173	6	Bolt, Hex; 1/2-13 x 1

To continue its program of quality and design improvement, the manufacturer reserves the right to change specifications, designs and prices without notice and incurring obligation.

Form No. 31228 (3-86)

Printed in U.S.A.