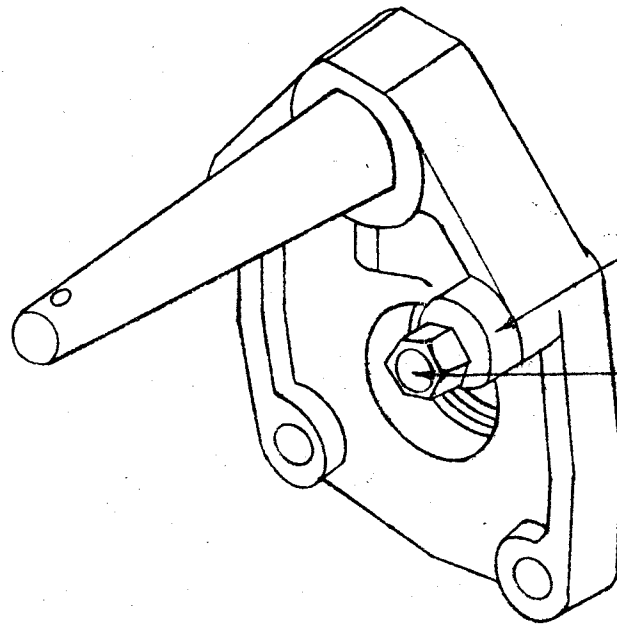


BUSHING INSTALLATION FOR GRAVELY



$\frac{3}{4}$ THICK $\times \frac{15}{16}$ DIA BUSHING
 LOCATED ON FACE OF
 QUICK HITCH KIT TO MOUNT
 GRINDER TO TRACTOR

OLD STYLE USES $\frac{1}{2} \times 2\frac{3}{4}$ GRADE
 5 BOLT, NEW STYLE USES
 $\frac{1}{2} \times 1\frac{1}{2}$ GRADE 5 BOLT

TITLE MOUNTING FOR GRAVELY TRACTOR		DRAWN 1-12-79	PART NO.	W-W GRINDER CORP. 2957 N. MARKET WICHITA, KANSAS 67219
MATERIAL	SCALE	APPROVED	MODEL 5-VL, 5-20-VL	

DO NOT SCALE THIS DRAWING FOR DIMENSIONS