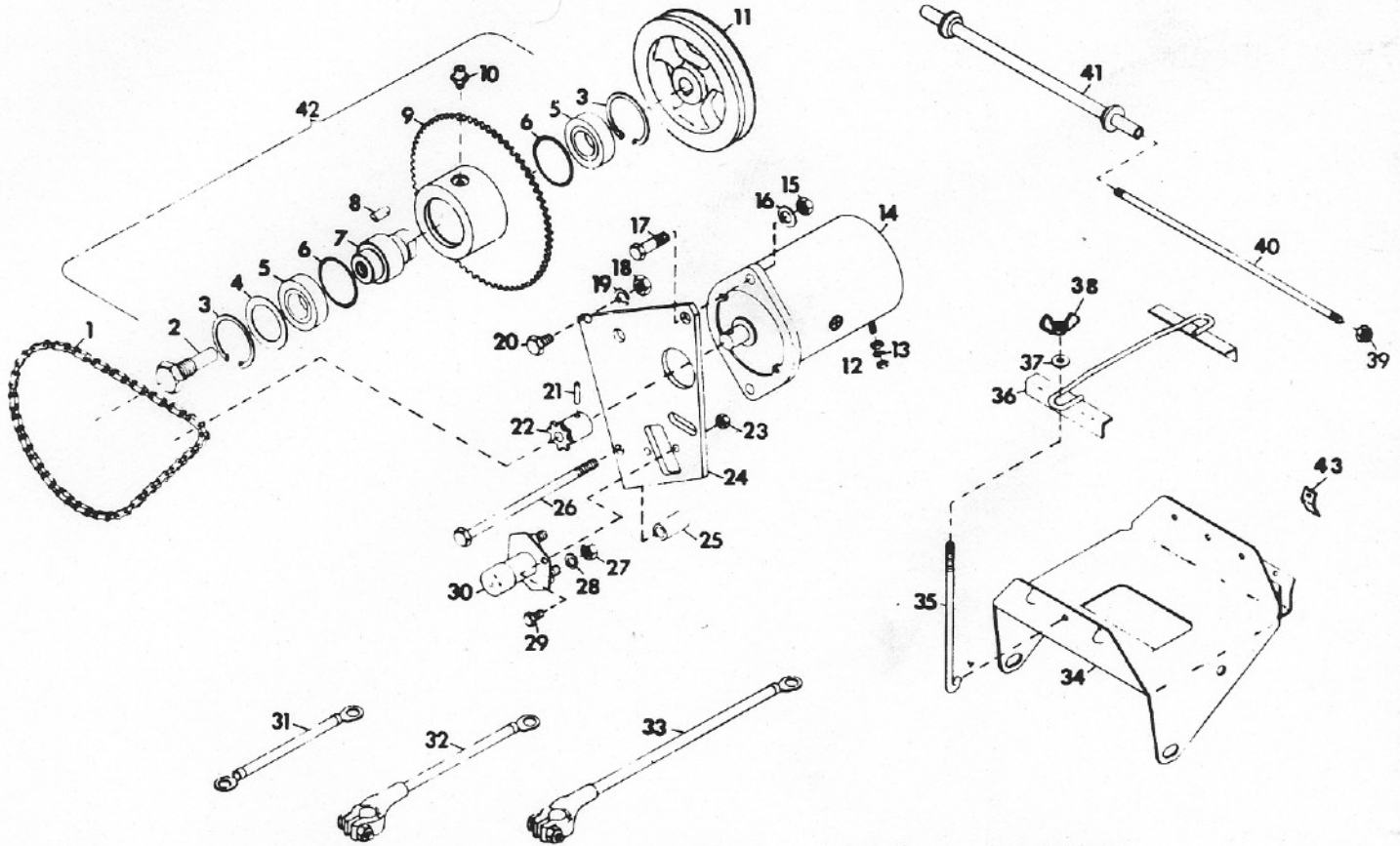


GRAVELLY ILLUSTRATED PARTS LIST

NAME: STARTER KIT

PART NUMBER(S): 15601E1



ITEM NO.	PART NO.	DESCRIPTION	ITEM NO.	PART NO.	DESCRIPTION
1	13483P1	Chain, Sprocket	24	12892P1	Plate, Motor
2	12111P1	Bolt, Special Starter	25	12905P1	Spacer, Starter Motor Plate
3	13581P1	Ring, Retaining	26	180737	Bolt, Hex 5/16-18 x 7
4	13324P1	Shim, Ball Bearing	27	120377	Nut, Hex 3/8-16
5	12493P1	Bearing, Ball 1.181 x 2.165 x .511	28	120382	Washer, Lock 3/8 Sp.
6	12900P1	Spring, Clutch	29	180018	Bolt, Hex 1/4-20 x 5/8
7	12112P1	Nut, Drive	30	13484A1	Switch, Foot
8	12899P1	Roller, Cam	31	12897P1	Cable, Starter
9	10198A1	Sprocket Weldment	32	6980P1	Cable, Ground
10	12902P1	Plug, Starter Clutch	33	12895P1	Cable, Ground
11	13353P1	Pulley, Fan Drive	34	8261A2	Bracket, Battery Weldment
12	124824	Nut, Jam 5/16-18 Hex	35	12894P1	Bolt, Hold-Down
13	120214	Washer, Lock 5/16 Sp.	36	10633P1	Clamp, Battery Hold-Down
14	12896A1	Motor, Starter	37	446354	Washer, Flat 5/16 x 7/8 x .065
15	456004	Nut, Lock 3/8-16 Washer Insert Hex	38	10413P1	Nut, Wing 1/4-20 Washer Insert
16	120394	Washer, Flat 13/32 x 13/16 x .065	39	454750	Nut, Lock 1/4-28 Washer Insert Hex
17	180124	Bolt, Hex 3/8-16 x 1-1/4	40	8252P1	Rod, Pivot
18	120376	Nut, Hex 5/16-18	41	8251P1	Tube, Pivot Weldment
19	120214	Washer, Lock 5/16 Sp.	42	10183A1	Clutch, Starter
20	180077	Bolt, Hex 5/16-18 x 3/4	43	8254P1	Spring
21	454563	Pin, Spring 3/16 x 7/8 Cad.	NS	10629P1	Tie, Cable
22	12891P1	Sprocket, Motor	NS	124549	Key, Woodruff 3/16 x 3/4 Hard No. 9
23	120375	Nut, Hex 1/4-20			

To continue its program of quality and design improvement, the manufacturer reserves the right to change specifications, designs and prices without notice and incurring obligation.

Form No. 20957L1 (3-1-75)

Printed in U.S.A.