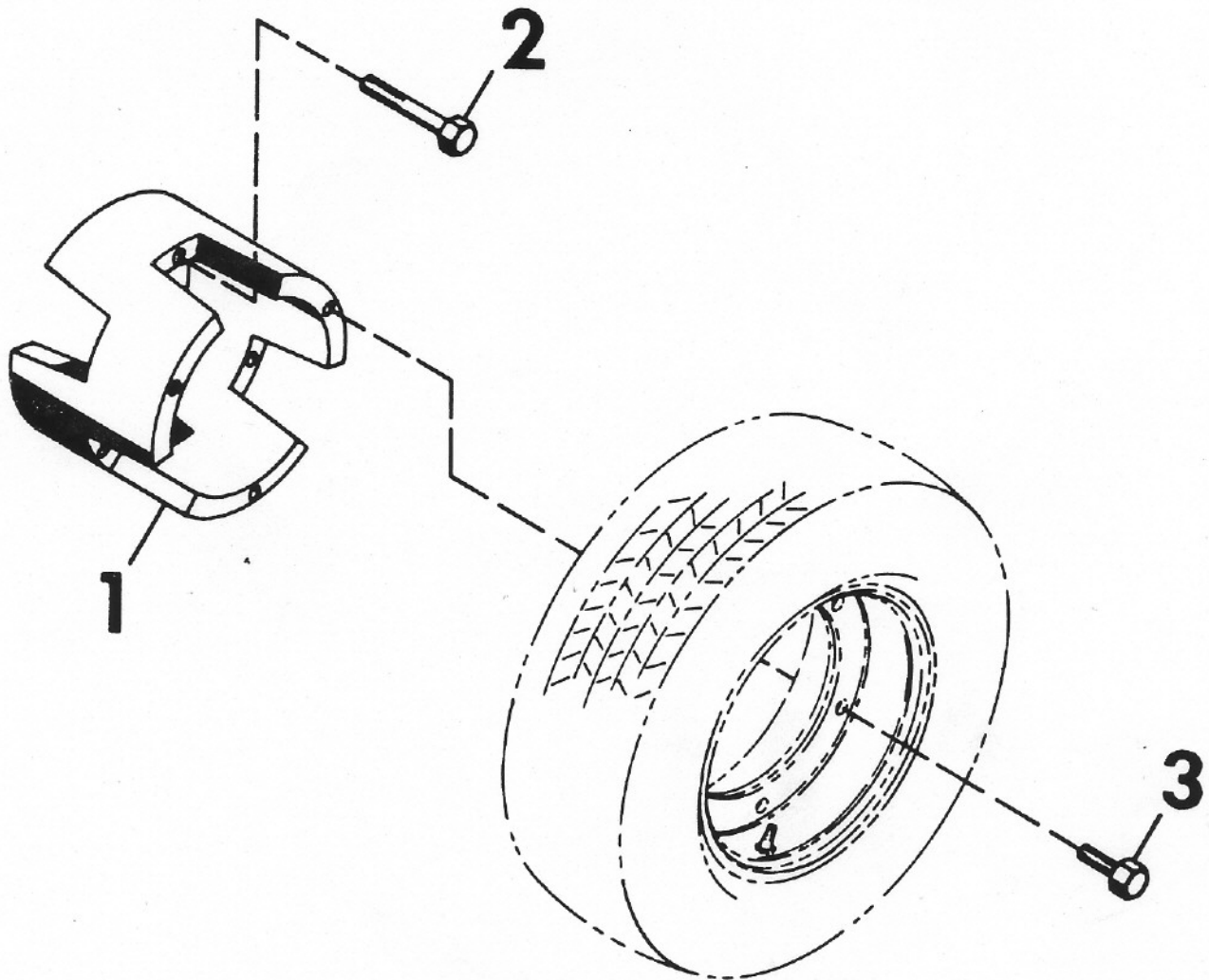


# GRAVELLY<sup>®</sup> ILLUSTRATED PARTS LIST

NAME: SPACER, DUAL WHEEL

PART NUMBER(S): 11886



ITEM NO.	PART NO.	DESCRIPTION
1	12745P2	Spacer, Dual Wheel
2	189305	Bolt, Hex 3/8-16 x 3-1/2
3	9428638	Bolt, Hex 3/8-16 x 5/8

To continue its program of quality and design improvement, the manufacturer reserves the right to change specifications, designs and prices without notice and incurring obligation.

Form No. 20776 (4-78)

Printed in U.S.A.