

GRAVELLY

ROTARY PLOW

ILLUSTRATED PARTS AND PRICE LIST

Effective January 1, 1959

KEY: NS-NOT SHOWN NN-NO PART NUMBER, ORDER BY DESCRIPTION

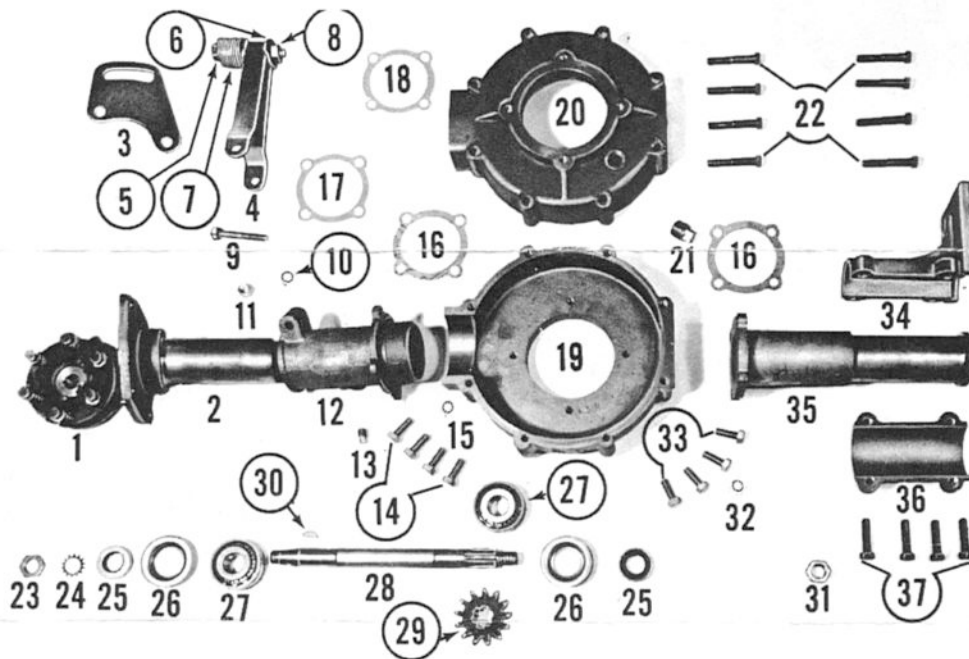


PLATE RP 1

Photo No.	Part No.	Description	Price	Photo No.	Part No.	Description	Price
1		Slip Clutch Complete	10.31	19&20	5330	Upper & Lower Gear Housg. Set	11.17
2	M 101	Drive Shaft Housing	5.09	21	702-VP	Bevel Gear Housing Plug	.15
3	A 301	Adjusting Bracket	.66	22	151-S	Gear Housing Bolt	.08
4	A 302	Adjusting Handle	.66	23	1304	Safety Clutch Nut	.15
5	172-S	Adjusting Bolt	.18	24	309-W	Pinion Drive Shaft Lk. Wshr.	.02
6	413-W	Adjusting Spacer	.03	25	L 126	Drive Shaft Oil Seal Single	.70
7	410-W	Adjusting Bolt Washer	.01	26	3151	Drive Shaft Oil Seal Retainer	.11
8	211-N	Adjusting Bolt Nut	.04	27	3147	Pinion Drive Shaft Bearing	3.96
9	151-S	Adjusting Handle Bolt	.08	28	M 308	Pinion Drive Shaft	2.20
10	305-W	Adjusting Handle Blt. Lk. Wshr.	.01	29	5309-S	Bevel Pinion Gear	3.62
11	205-N	Adjusting Handle Bolt Nut	.03	30	504-K	Bevel Pinion Gear Woodruff Key	.02
12	M 102	Swivel Casting	4.68	31	227-N	Pinion Drive Shaft Nut	.23
13	701-P	Swivel Casting Drain Plug	.07	32	305-W	Gear Housing Ext. Blt. Lk. Wshr	.01
14	110-S	Bolt	.07	33	110-S	Bolt	.07
15	305-W	Swivel Casting Sec. Blt. Lk. Wshr.	.01	34	5326	Wheel Bracket Swivel	2.27
16	M 326	Gear Housing Gasket	.06	35	5331	Gear Housing Extension	4.29
17&18	M 139	Bearing Adjusting Shims		36	5328	Wheel Bracket Cap	1.32
		.005 Bearing Adj. Shim	.09	37	137-S	Wheel Bracket Swivel Bolt	.06
		.020 Bearing Adj. Shim	.19				

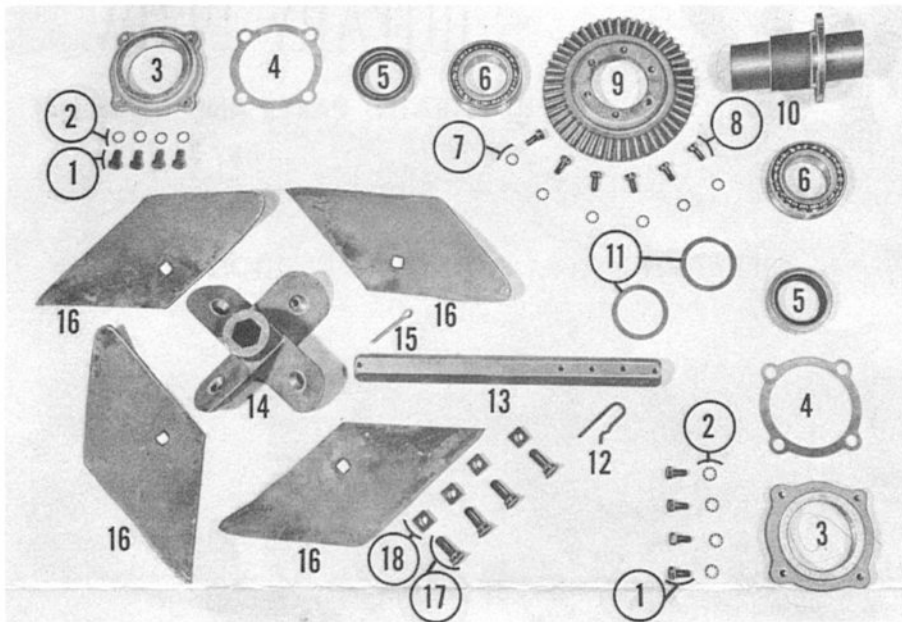


PLATE RP 2

Photo No.	Part No.	Description	Price
1	121-S	Housing Bearing Cap Bolt	\$.06
2	305-W	Housing Bearing Cap Bolt Lk. Wshr.	.01
3	5308	Housing Bearing Cap	1.98
4	5317	Bearing Adjustment Shims	
		.005 Bearing Adjusting Shims	.07
		.020 Bearing Adjusting Shims	.32
→ 5	5318-A	Gear Housing Oil Seal	1.76 ←
6	2208	Bevel Gear Hub Bearing Comp.	6.59
7	305-W	Bevel Gear Lock Washer	.01
8	121-S	Bevel Gear Bolt	.06
9	5315	Bevel Gear	3.73
10	5306	Bevel Gear Hub	5.06
11	5413	Bevel Gear Hub Adjusting Shim	.07
12	5310-C	Rotor Axle Depth Adj. Pin	.08
13	5310	Rotor Axle (.05 per inch for each additional inch)	1.76
14	5312	Rotor Spider Hub	4.77
15	604-C	Rotor Axle Cotter Pin	.02
16	5322	Rotor Spade Cutter	1.53
17	153-S	1/2" x 1-1/2" No. 3 Plow Bolt	.10
18	153-N	1/2" x 1-1/2" No. 3 Plow Bolt Nut	.02

ONE OIL SEAL INSTALLED 4/10/60
ONE ON HAND

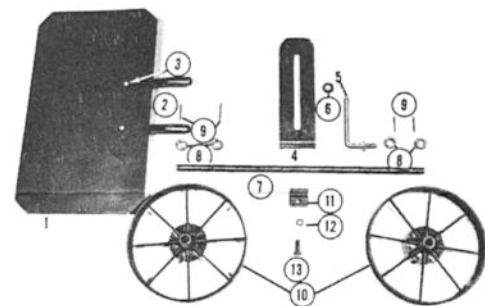


PLATE RP 3

Photo No.	Part No.	Description	Price
1	5324	Dirt Shield	1.76
2	2703	Dirt Shield Brace	.24
3	121-S	Dirt Shield Brace Bolt	.06
NS	305-W	Brace Bolt Lock Washer	.01
NS	205-N	Dirt Shield Brace Bolt Nut	.03
4	5303	Wheel Bracket	2.51
5	5325	Wheel Bracket Clamp Complete	.51
6	410-W	Wheel Bracket Clamp Screw Wshr.	.01
7	5311	Depth Wheel Axle	1.38
8	A 374	Axle Thrust Collar	.24
9	603-C	Axle Thrust Collar Cotter Pin	.01
10	5327	Depth Wheel	3.11
11	5304	Axle Clamp	.28
12	308-W	Axle Clamp Bolt Lock Washer	.01
13	152-S	Axle Clamp Bolt	.11

PRICES SUBJECT TO CHANGE WITHOUT NOTICE