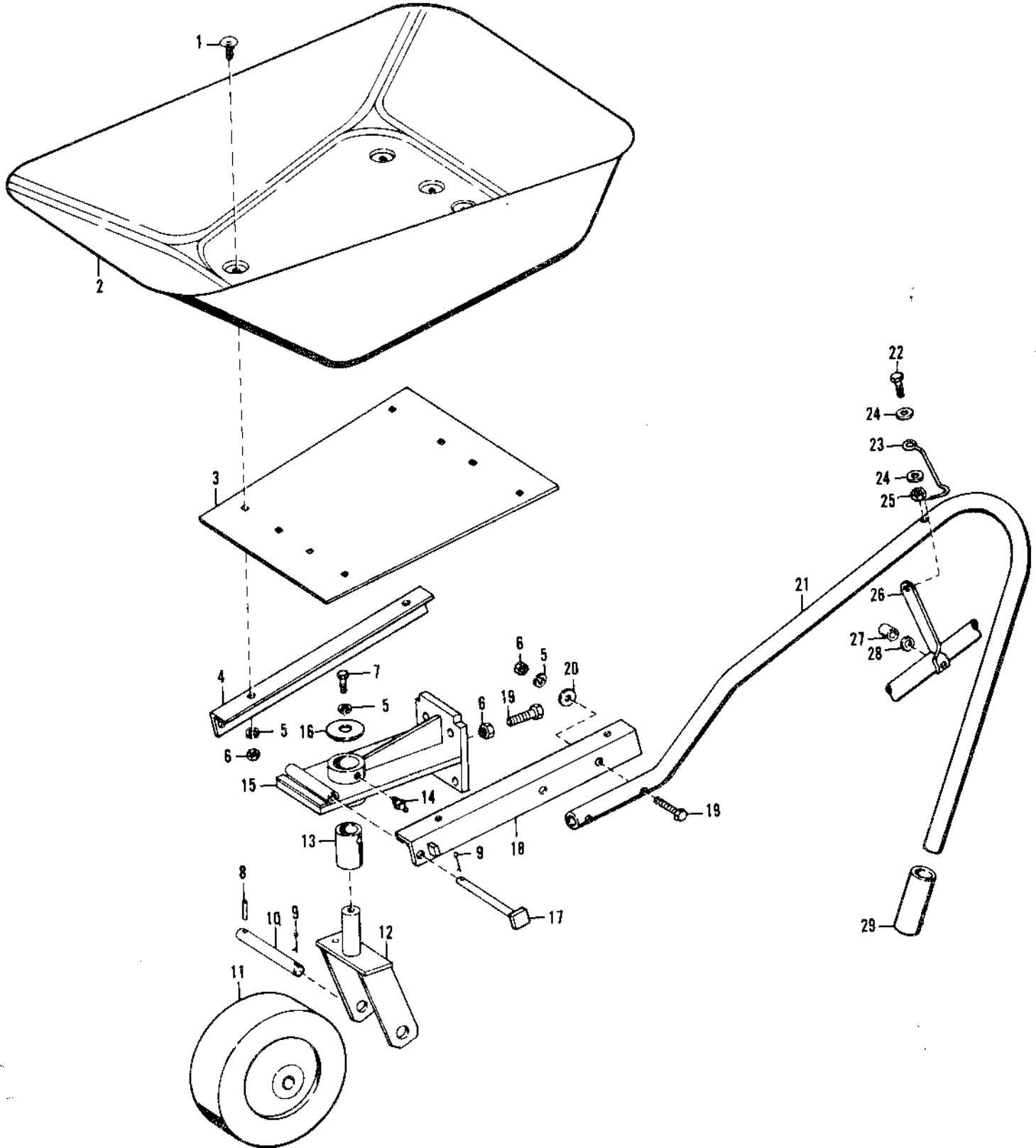


To continue its program of quality and design improvement, the manufacturer reserves the right to change specifications, designs or prices without notice and without incurring obligation.

ILLUSTRATED
Parts List
PRINTED IN U. S. A.

**POWER
BARROW**
Model Nr. _____
Effective Date: Rev. 9-8-64
Form Number: PL-125



POWER BARROW

<u>Item No.</u>	<u>Part No.</u>	<u>Description</u>
1	180122	Stop Bolt
2	13458P1	Tray
3	12840P1	Tray Support
4	12838P1	Right Angle for Tray
5	138542	Lock Washer
6	120377	Hex. Nut
7	180120	Hex. Hd. Cap Screw
8	457008	Roll Pin
9	103407	Cotter Key
10	14212P1	Caster Axle
11	13531P1	Caster Wheel
12	11737A1	Caster Fork
13	6052P1	Caster Bearing
14	9411010	Grease Fitting
15	10401A1	Tray & Caster Support
16	6053P1	Caster Washer
17	12836P1	Tray Shaft
18	12839P1	Left Angle for Tray
19	180129	Hex. Hd. Cap Screw
20	120394	Flat Washer
21	12837P1	Handle
22	180033	Hex. Hd. Cap Screw
23	12841P1	Handle Latch
24	120366	Flat Washer
25	120375	Hex. Nut
26	14562P1	Latch Plate
27	12713P1	Spacer
28	12704P1	Special Washer
29	13034P1	Handle Grips