

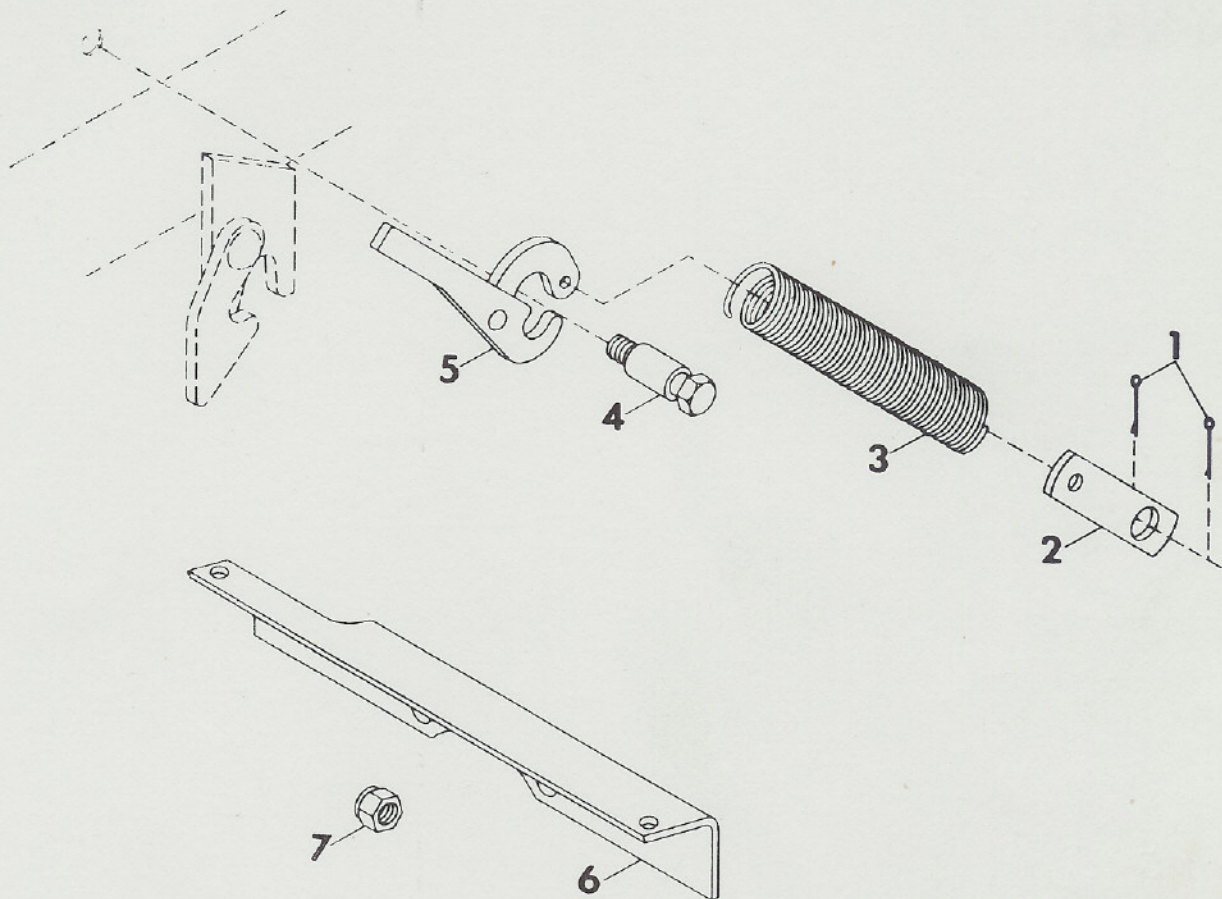
# GRAVELY®

CLARKE-GRAVELY CORPORATION  
A Studebaker-Worthington Company

## ILLUSTRATED PARTS LIST

NAME: LIFT ASSIST KIT

PART NUMBER(S): 11271



<u>ITEM NO.</u>	<u>PART NO.</u>	<u>DESCRIPTION</u>
1	120123	Pin, Cotter 1/8 x 1-1/4
2	11273P1	Strap
3	11272P1	Spring, Ext Type 7-5/8 x 1.50 x 70 Rate
4	11279P1	Pin, Latch
5	11275A1	Latch, Spring Assembly L.H.
NS	11274A1	Latch, Spring Assembly R.H.
6	11278P1	Bracket, Spring
7	9416464	Nut, Lock 1/2-13 Type CL Hex

To continue its program of quality and design improvement, the manufacturer reserves the right to change specifications, designs and prices without notice and incurring obligation.

Form No. 20971 (4-75) Printed in U.S.A.