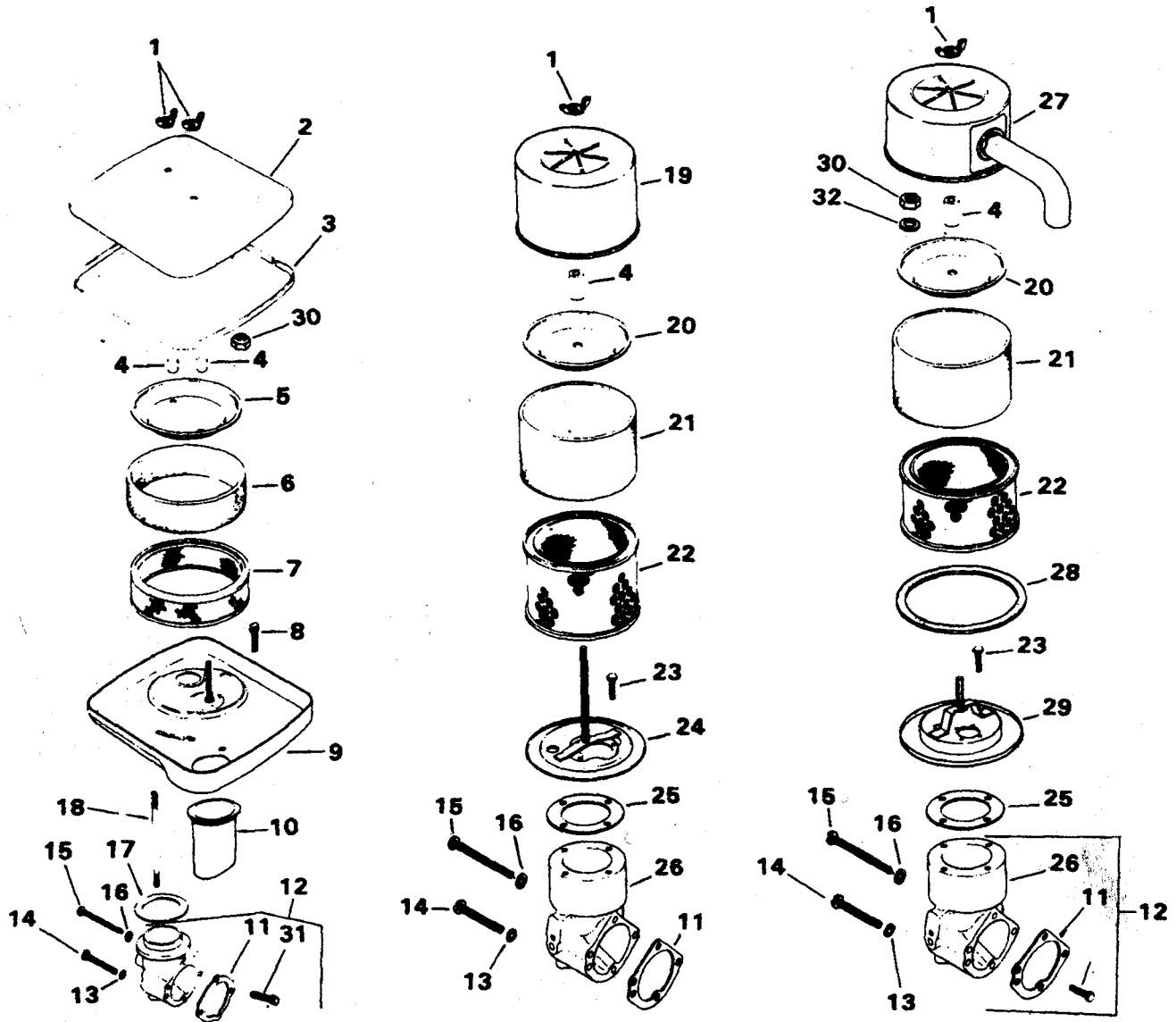
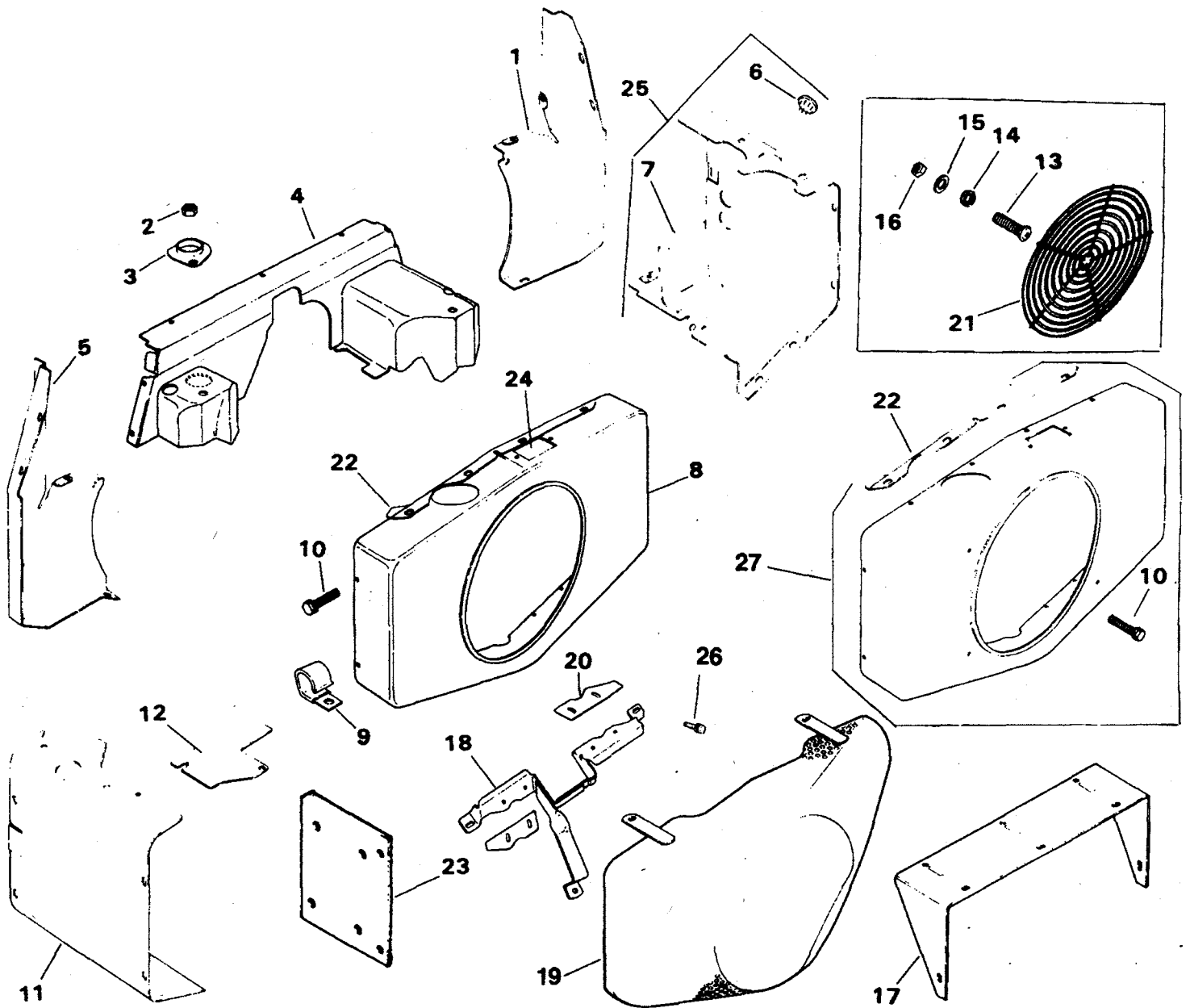




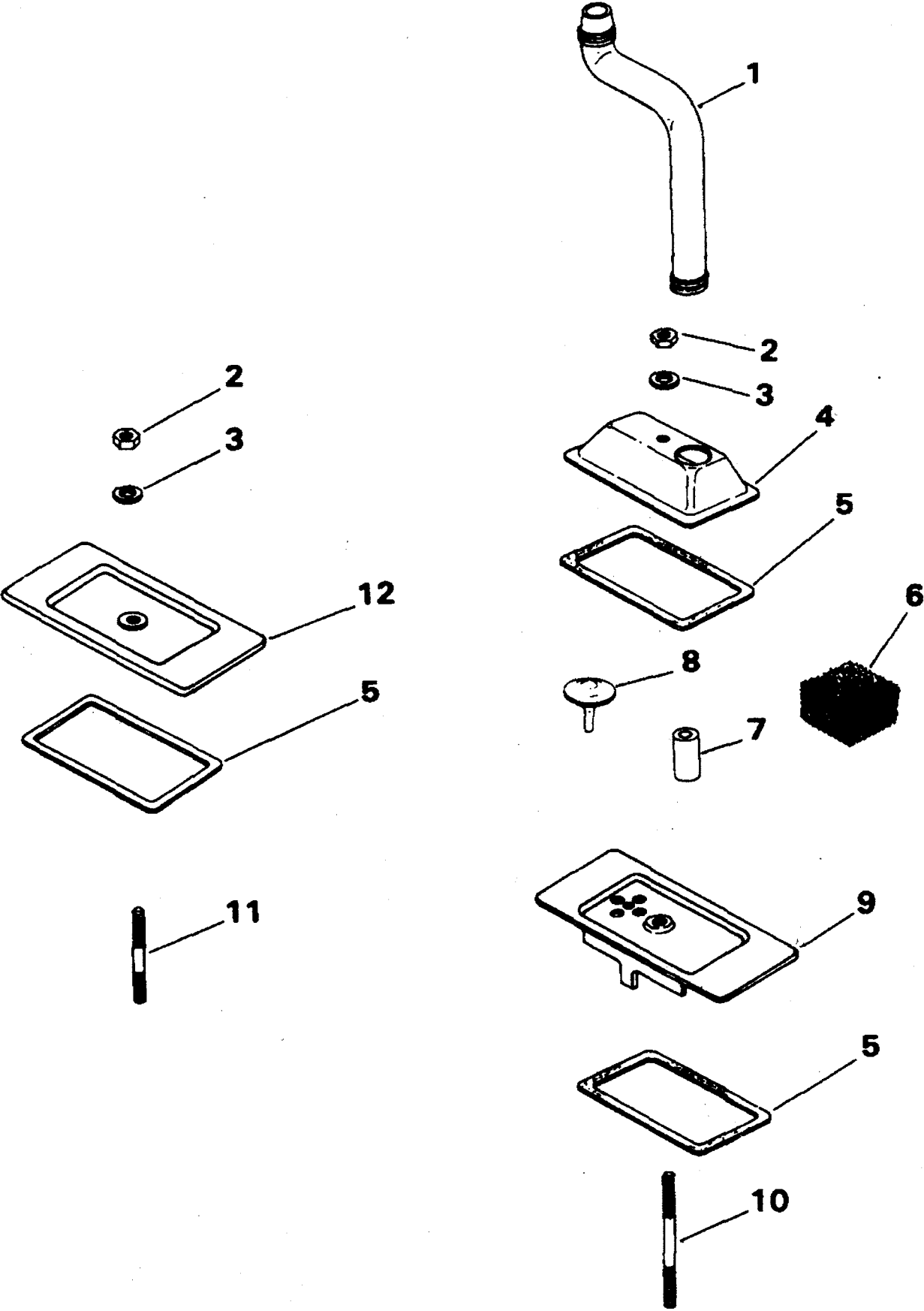
**KOHLER ENGINE PARTS LIST  
MODEL M20S  
20 H.P.  
SPEC 49562**



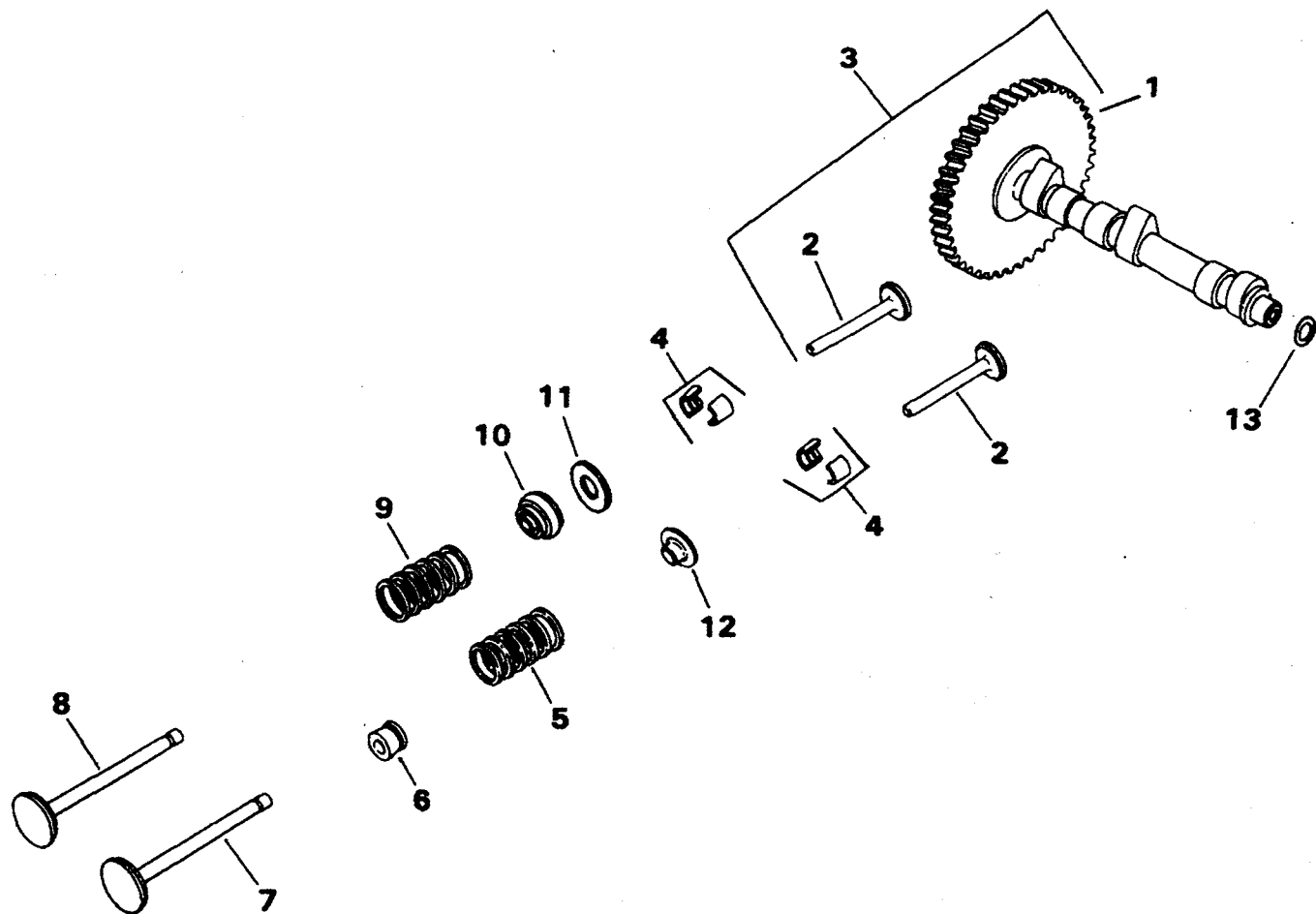
Ref #	Part Number	Qty	Description
1	X-276-7-S	1	Wing nut 1/4-20
4	231032-S	1	Seal, element cover
11	25 041 06-S	1	Gasket, air cleaner elbow
12	52 754 01-S	1	Kit, air intake elbow Includes 11,31
13	X-22-9-S	2	Washer, I.T. #10
14	X-50-57-S	2	Screw, sltd. pan hd. 10-32x1-1/2"
15	X-50-37-S	1	Screw, sltd. pan hd. 10-32x2-1/4"
16	X-25-79-S	1	Washer, plain #10
20	52 082 04-S	1	Cover, air cleaner element
21	45 083 01-S	1	Precleaner
22	45 083 02-S1	1	Element
23	X-67-98-S	4	Screw, hex. wash. hd. 10-32x9/16"
25	277093-S	1	Gasket, air cleaner
28	237423-S	1	Seal, air cleaner cover
29	52 201 06-S	1	Base, air cleaner
31	52 086 11-S	1	Screw, hex. wash. hd. 1/4-20x5/8"
	25 113 07-S	1	Decal, air cleaner NOT ILLUSTRATED



Ref #	Part Number	Qty	Description
7	52 124 05-S	1	Baffle, #1 cylinder head (6-1/8" wide with 5-1/8" wide rear cylinder baffle)
8	52 027 34-S	1	Housing, blower
10	X-67-83-S	23	Screw, hex. wash. hd. 1/4-20x7/16"
11	52 063 30-S	1	Baffle, #2 cylinder head (8-3/4" wide with 5-7/32" wide rear cylinder baffle)
12	52 063 01-S	1	Baffle, fuel pump
14	X-22-22-S	4	Washer, E.T. #10
18	52 265 04-S	1	Deflector, grass
20	52 146 05-S	2	Plate
22	52 217 01-S	1	Bracket, upper housing
26	X-67-64-S	4	Screw, hex. wash. hd. 10-32x7/16"
	52 113 11-S	1	Decal, grass deflector NOT ILLUSTRATED

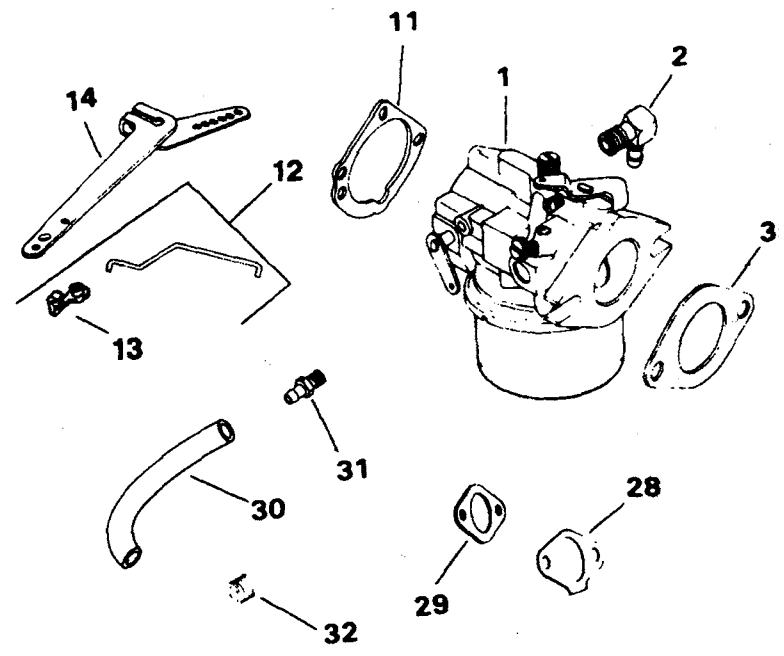
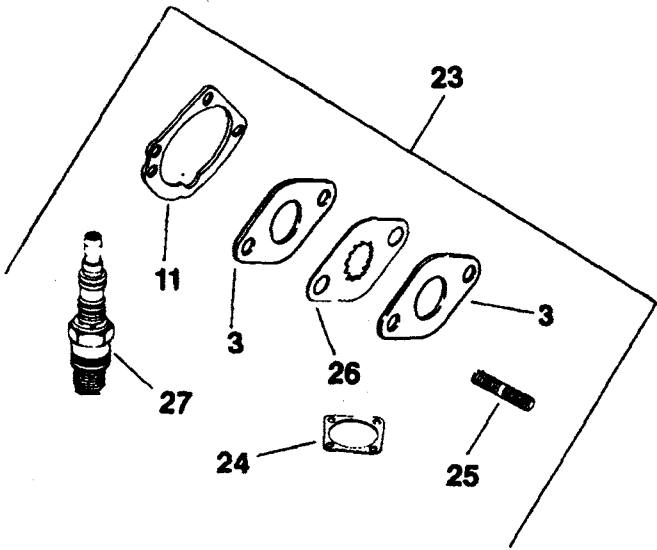
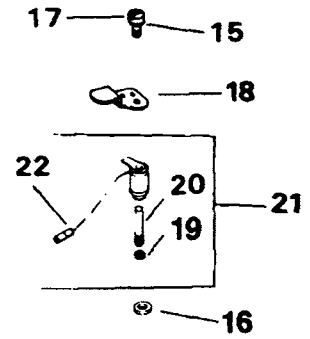
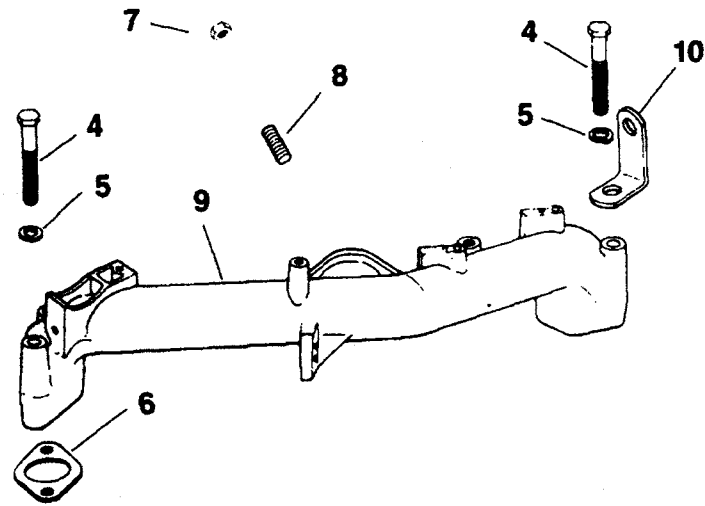


Ref #	Part Number	Qty	Description
1	52 326 05-S	1	Hose, breather 4-3/8"
2	X-81-1-S	2	Nut, hex. 1/4-20
3	X-25-12-S	2	Washer, plain 1/4"
4	52 096 08-S	1	Cover, #1 upper cylinder valve
5	52 055 01-S	3	Gasket, valve cover
6	231419-S	1	Filter, breather
7	52 032 04-S	1	Seal, breather
8	52 462 01	1	Valve, umbrella
9	52 096 22	1	Cover, #1 lower cylinder valve
10	275220-S	1	Stud, #1 cylinder valve cover - 1/4-20x3-1/4"
11	X-352-39-S	1	Stud, #2 cylinder valve cover - 1/4-20x2-1/4"
12	52 096 18	1	Cover, #2 cylinder valve

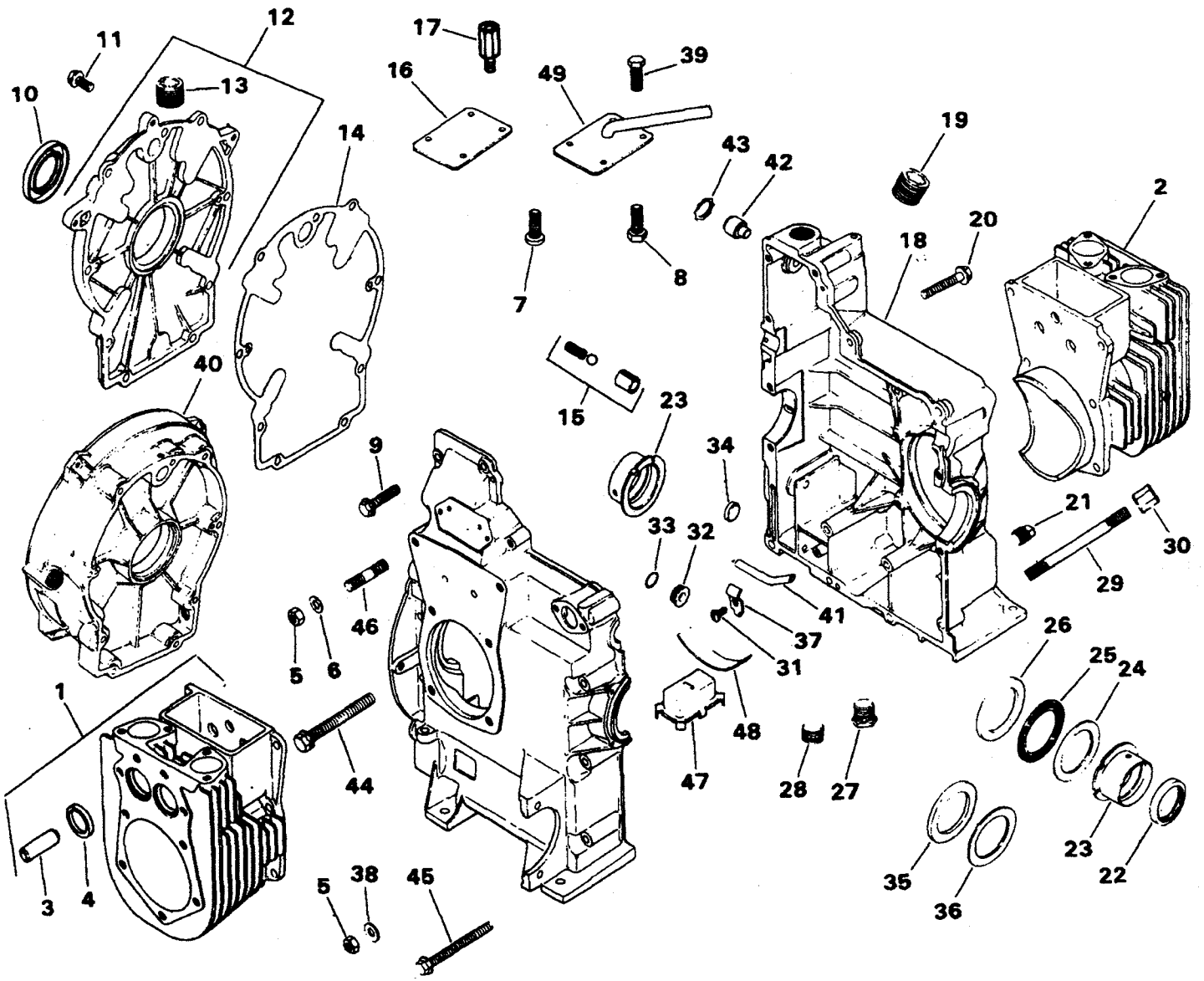




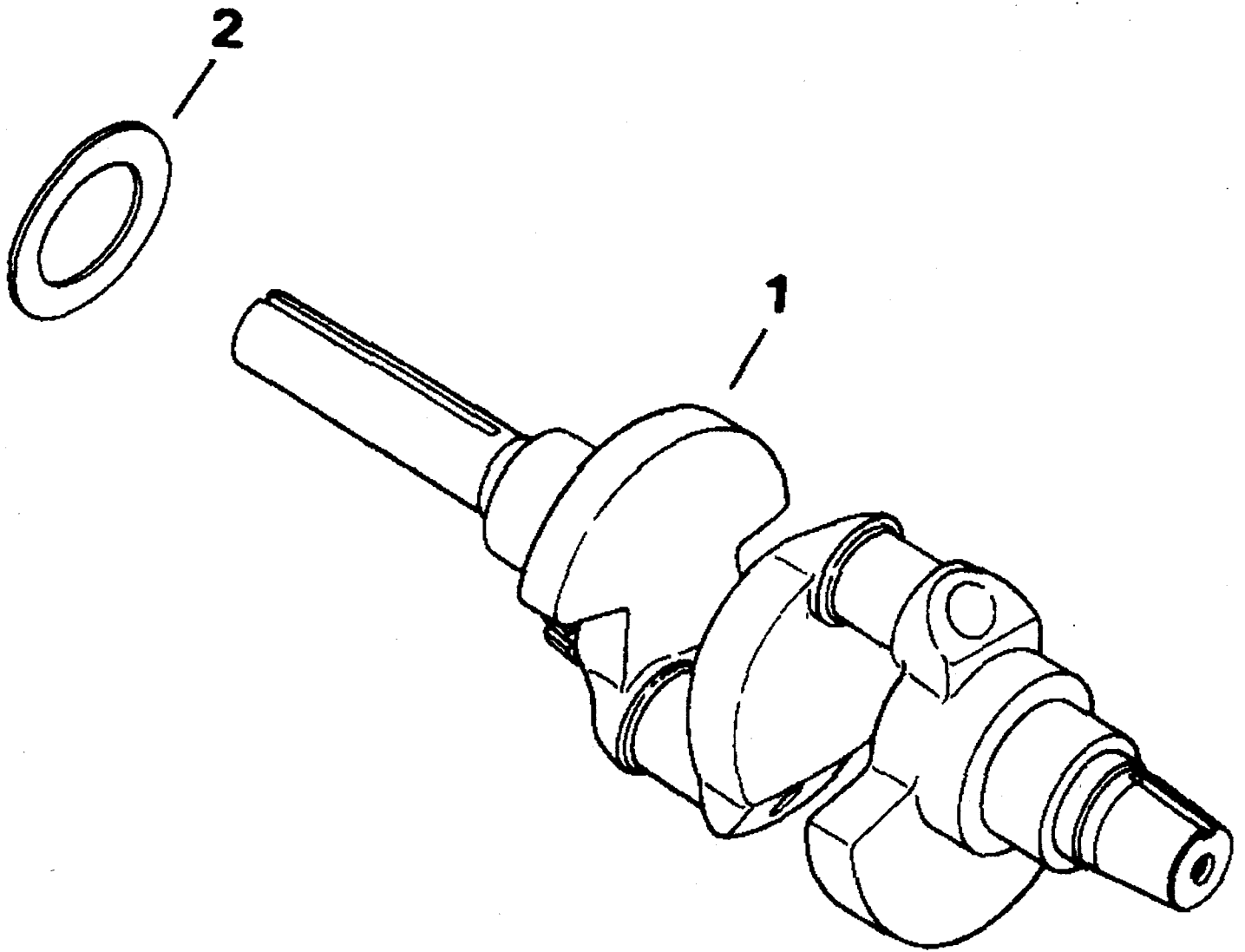
Ref #	Part Number	Qty	Description
3	82 755 13-S	1	Kit, camshaft Includes 1, 52 019 03-S [qty. 4]
4	41 755 10-S	4	Kit, retainer
5	25 089 01-S	2	Spring, intake valve
6	52 032 13-S	2	Seal, intake valve stem
7	52 017 07-S	2	Valve, intake
8	82 755 12-S	2	Kit, exhaust valve Includes 52 031 01-S valve seat insert
9	25 089 01-S	2	Spring, exhaust valve
10	52 413 01-S	2	Rotator, .03" exhaust valve
12	230011-S	2	Retainer, intake valve spring



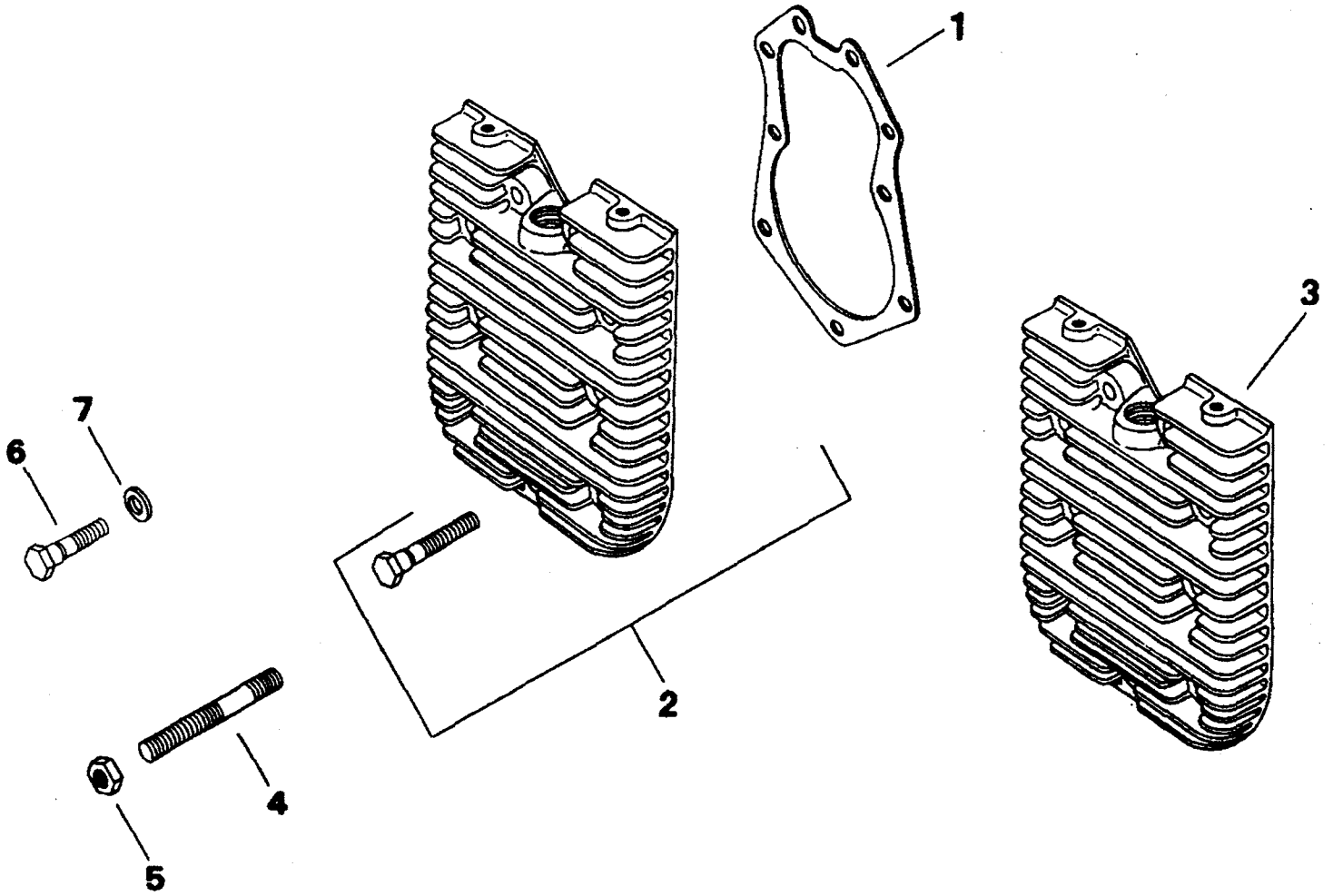
Ref #	Part Number	Qty	Description
1	52 853 02	1	Kit, fixed jet carburetor Includes 3,11-14, Carburetor assembly 52-053-21* or 52-053-47* ( - or use - )
	52 853 28-S	1	Kit, adjustable jet carburetor Includes 3,11-14, Carburetor assembly 52-053-59*
2	25 155 02-S	1	Connector, 90° hose For 1/4" I.D. rubber hose
3	271030-S	1	Gasket, carburetor
4	X-6-8-S	4	Screw, H.C. 5/16-18x2-3/4"
5	X-21-1-S	4	Washer, lock 5/16"
6	52 041 09-S	2	Gasket, intake manifold
7	X-77-2-S	2	Nut, hex. jam 5/16-18
8	X-352-37-S	2	Stud 5/16-18x1"
9	52 164 10-S	1	Manifold, intake
10	52 445 02-S	2	Strap, lifting
11	25 041 06-S	1	Gasket, air cleaner
12	82 755 07-S	1	Kit, governor linkage Includes 13
13	25 158 09	1	Bushing Replaced by 25 158 11-S
14	52 186 06-S	1	Arm, governor



Ref #	Part Number	Qty	Description
1	82 755 18-S	1	Kit, cylinder barrel #1 Includes 3,4 and exhaust valve
2	82 755 19-S	1	Kit, cylinder barrel #2 Includes 3,4 and exhaust valve
3	52 316 06	4	Guide, valve
4	52 031 01-S	4	Insert, valve seat
5	X-82-2-S	12	Nut, hex. 5/16-18
6	52 468 12-S	12	Washer, flat 5/16"
9	25 086 10-S	9	Screw, hex. flange 5/16-18x1-1/2"
9	25 086 10-S	12	Screw, hex. flange 5/16-18x1-1/2"
10	X-583-5-S	2	Seal, rear oil 1-3/8" I.D.
12	52 755 54-S	1	Kit, closure plate Includes 9 [qty. 9],10 [qty. 2],13,14
13	X-75-23-S	1	Plug, hex. ctsk. 1/8" N.P.T.F.
14	52 041 15-S	1	Gasket, closure plate
15	52 755 50-S	1	Kit, oil relief Includes ball, spring & sleeve
20	25 086 12-S	2	Screw, hex. flange 5/16-18x2"
21	X-75-10-S	1	Plug, solid sq. hd. 3/8" N.P.T.F.
22	52 032 10-S	1	Seal, front oil
23	52 030 10-S	2	Bearing, sleeve flange (Std.)
23	52 030 11-S	2	Bearing, sleeve flange (.010)
23	52 030 12-S	2	Bearing, sleeve flange (.020)
28	X-75-32-S	1	Plug, hex. ctsk. 3/8" N.P.T.F.
31	X-67-64-S	1	Screw, hex. wash. hd. 10-32x7/16"
32	52 139 08-S	1	Plug 3/4" O.D.
33	52 141 02-S	1	O-Ring
34	X-702-15-S	1	Plug, cup 5/16"
37	52 237 05-S	1	Clamp, tube
41	52 123 10	1	Tube, oil pickup
42	52 078 05-S	1	Shaft, governor
43	X-269-43-S	1	Ring, retaining
44	25 086 13-S	2	Screw, hex. flange 3/8-16x3-5/8"
45	25 086 11-S	8	Screw, hex. flange 5/16-18x3-1/2"
46	52 072 12-S	12	Step stud 5/16-18x3/4", 3/8-16 x 5/8", 2" long
47	52 095 03	1	Housing, oil strainer
48	52 237 02-S	1	Clamp, spring

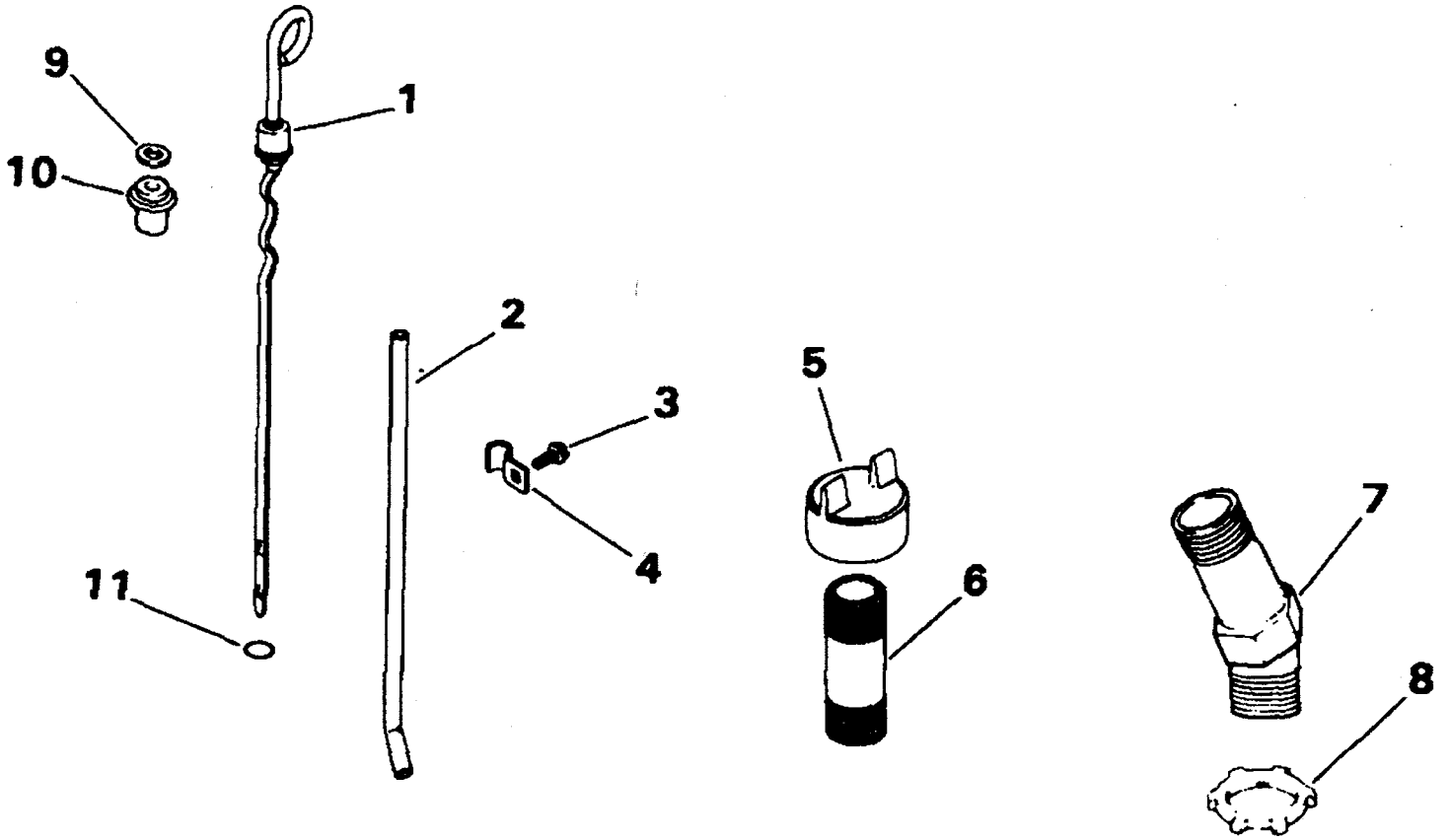


Ref #	Part Number	Qty	Description
1	52 014 76-S	1	Crankshaft (1-1/8" dia. x 3-25/32" tapped PTO)
2	52 468 03-S	A.R.	Washer, thrust .119/.122
2	52 468 04-S	A.R.	Washer, thrust .128/.131
2	52 468 05-S	A.R.	Washer, thrust .137/.140



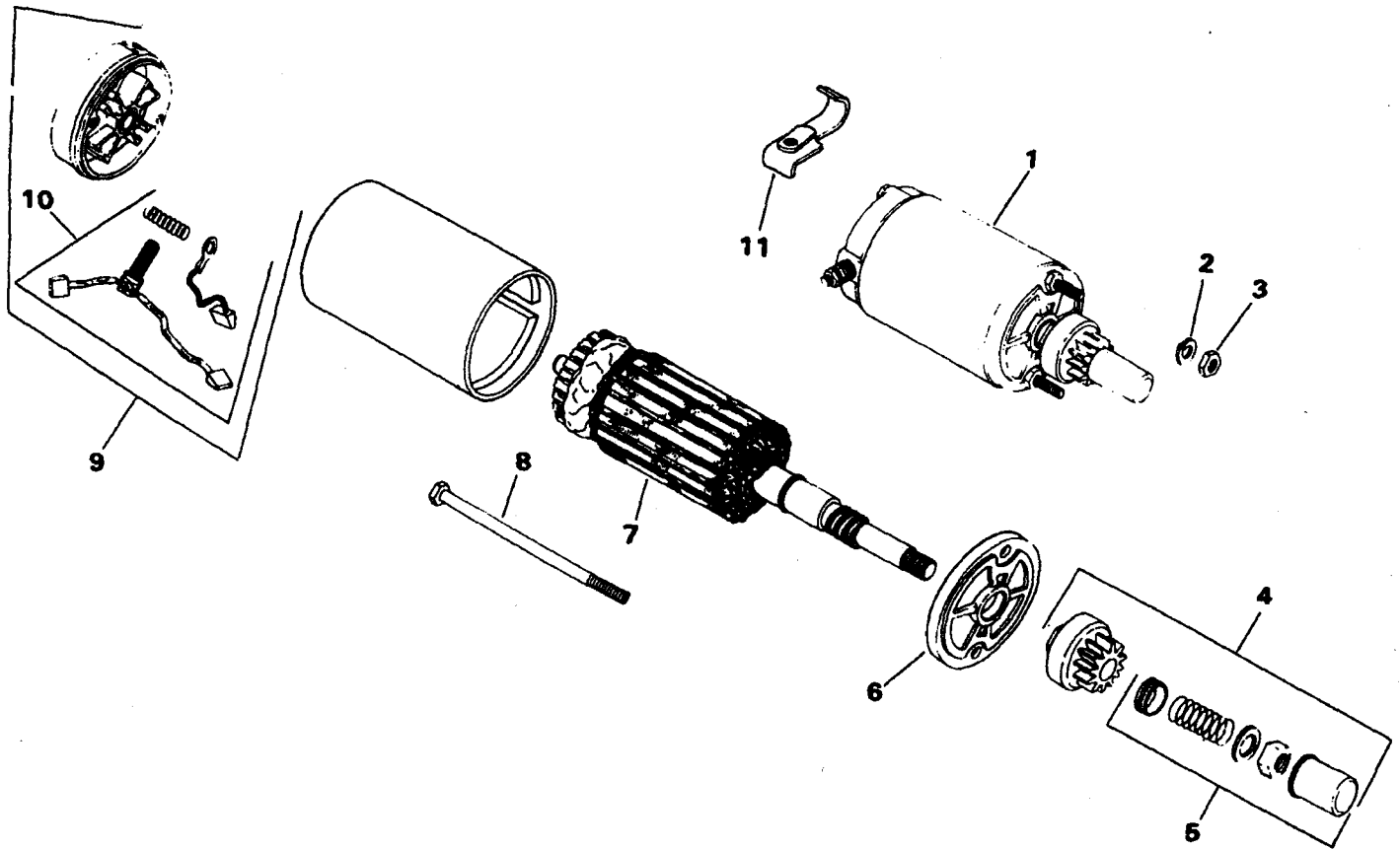


Ref #	Part Number	Qty	Description
1	52 041 20-S	2	Gasket, cylinder head
2	52 755 78-S	1	Kit, cylinder head Includes screw 25 086 07-S [qty.2]
3	52 755 78-S	2	Head, cylinder
4	52 072 15-S	6	Stud 5/16-18x2"
5	X-82-2-S	6	Nut, hex. 5/16-18
6	41 086 02-S	8	Screw, hex. hd. 5/16-18x1-1/2"
6	25 086 07-S	4	Screw, hex. mach. 5/16-18x2"
7	220534-S	18	Washer, plain 5/16"

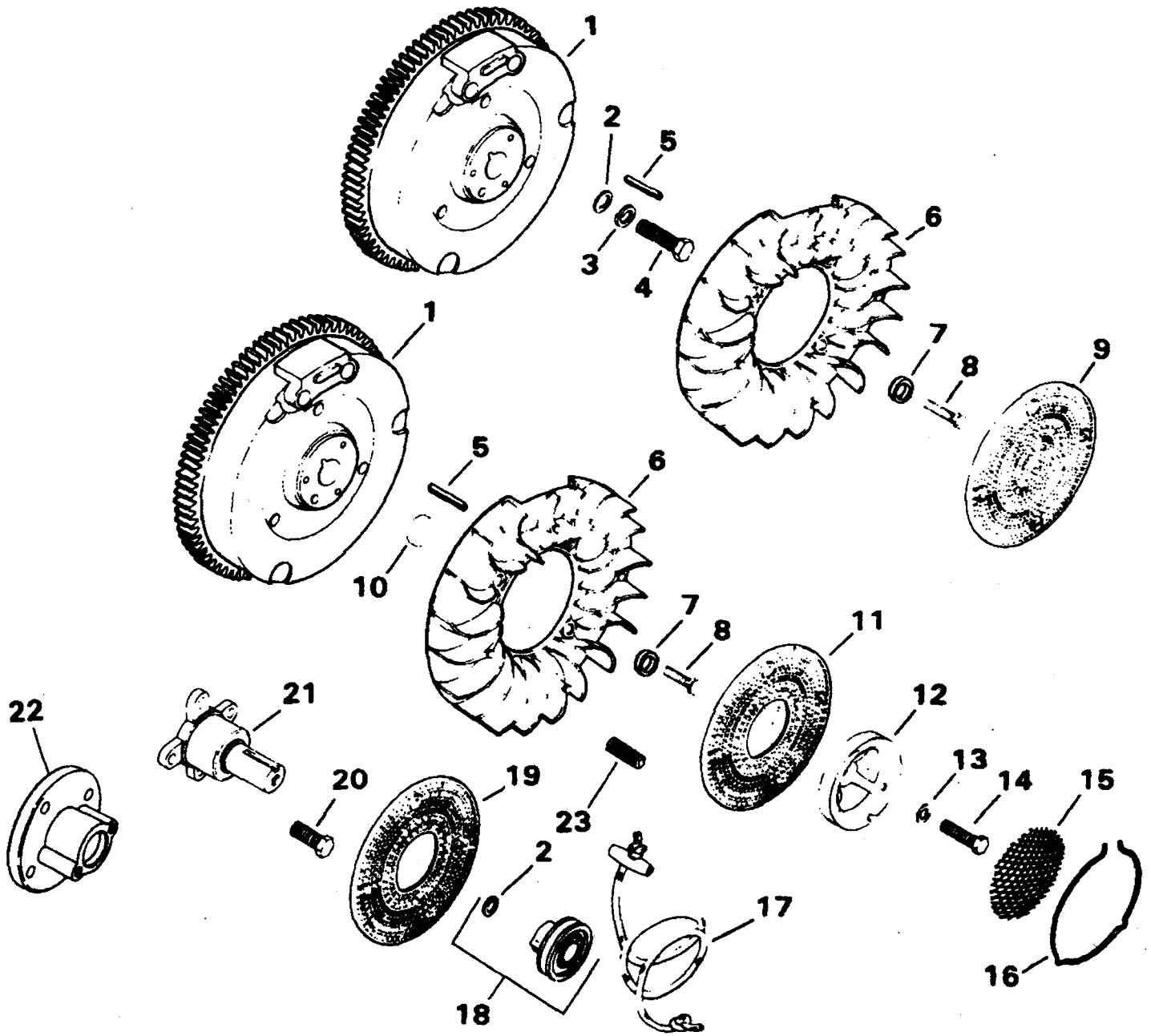


---

Ref #	Part Number	Qty	Description
1	52 038 04-S	1	Dipstick 11-5/16" blade
2	52 123 09-S	1	Tube, oil level
3	X-67-64-S	1	Screw, hex. wash. hd. 10-32x7/16"
4	52 154 01-S	1	Clip, tube
5	52 173 01-S	1	Cap, pipe
7	52 134 04-S	1	Tube, oil fill
8	X-427-1-S	1	Nut, lock 3/4"

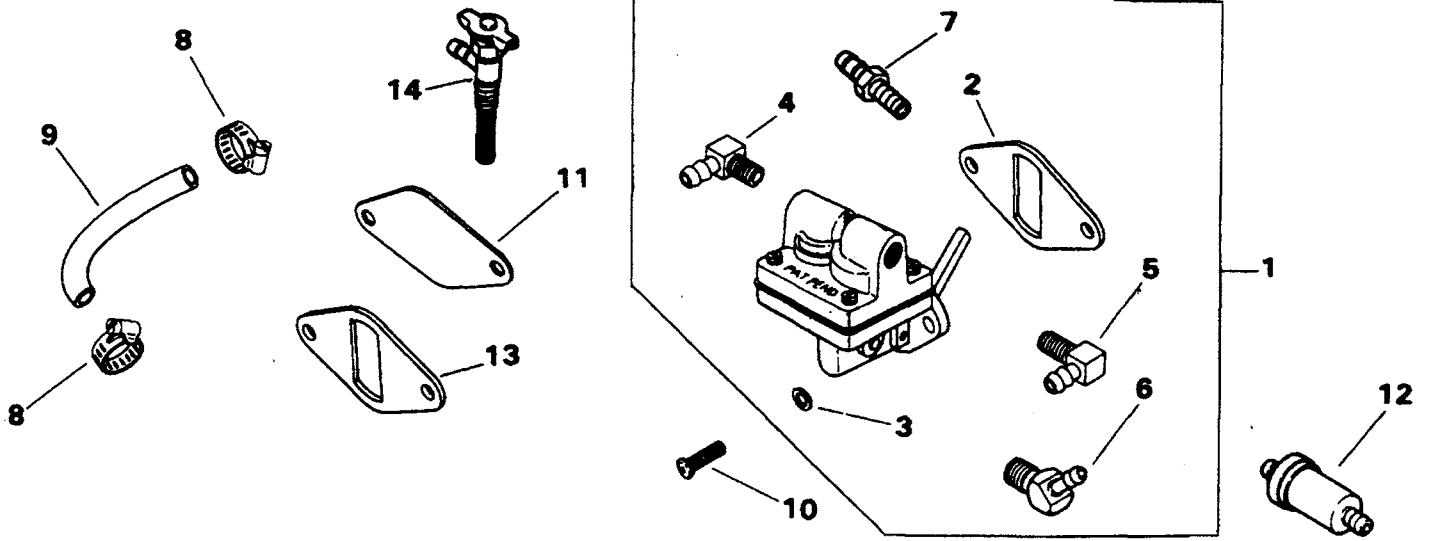


Ref #	Part Number	Qty	Description
1	52 098 06	1	Starter assembly Includes 4-10
2	X-20-1-S	2	Washer, lock 1/4"
3	X-81-1-S	2	Nut, hex. 1/4-20
4	52 755 05	1	Kit, drive Includes 5
5	52 755 08	1	Kit, drive parts
6	52 227 01	1	Cap, drive end
7	52 170 03-S	1	Armature
8	52 211 03-S	2	Bolt, thru 1/4-20x6-7/8"
9	52 227 07	1	Cap assembly, commutator end Includes 10
10	52 755 15	1	Kit, brush & spring
	25 450 03-S	1	Tag, caution
	52 357 01-S	1	Lubricant, starter



Ref #	Part Number	Qty	Description
1	52 025 36-S	1	Flywheel
2	52 468 15-S	1	Washer, flat 3/8" I.D., 1-3/8" O.D. x 1/4"
4	25 086 24-S	1	Screw, hex. mach. 3/8-24x1-1/4"
5	X-286-17-S	1	Key, square 7/8x3/16x3/16"
6	25 157 01-S	1	Fan
7	25 112 04-S	4	Spacer 1/8"
8	25 086 21-S	4	Screw, hex. wash. hd. 1/4-20x5/8"
9	25 162 01-S	1	Screen, grass

M20-49562  
Fuel Pump (Threaded)

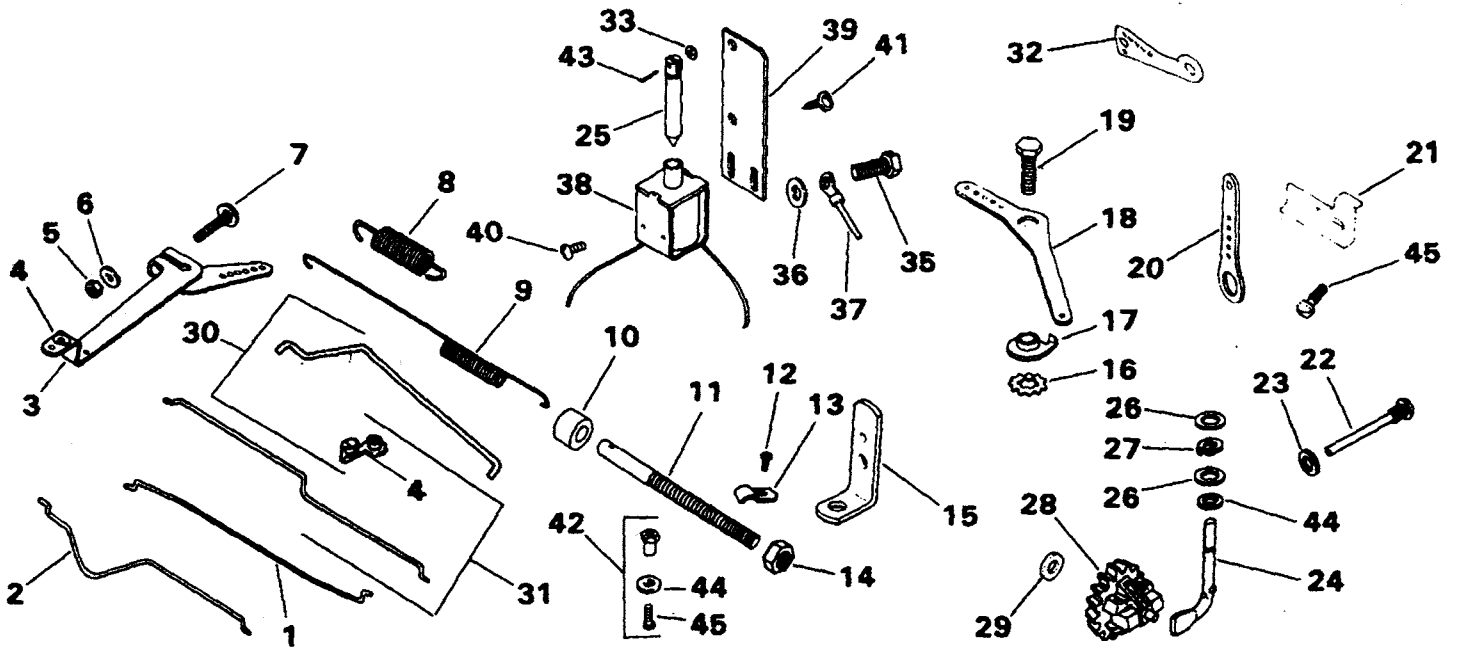




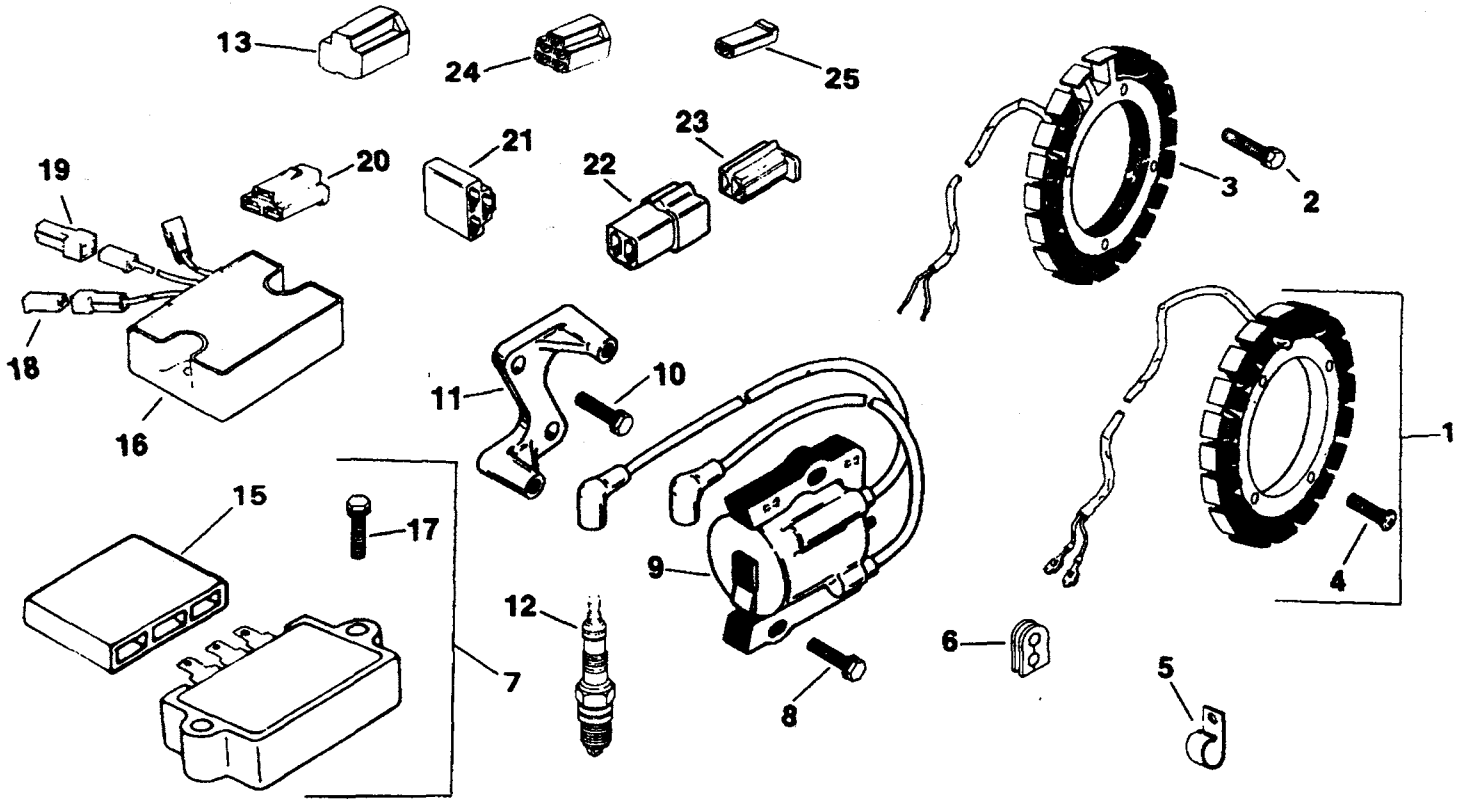
Ref #	Part Number	Qty	Description
1	52 559 01-S	1	Pump, fuel assembly (w/threaded fittings) Includes 2-7
2	25 041 09-S	1	Gasket, fuel pump
3	X-25-63-S	2	Washer, plain 1/4"
5	25 155 02-S	1	Connector, 90 degree hose For 1/4" I.D. rubber hose
6	X-274-8-S	1	Connector, 45 degree hose For 1/8" rubber hose
7	X-380-1-S	1	Connector, straight For 3/8" I.D. rubber hose
8	X-426-9-S	4	Clamp, hose 1/2"
9	52 353 04-S	1	Line, fuel 6-3/4"
9	25 353 02-S	1	Line, fuel 3"
10	47 086 08-S	2	Screw, pozidriv T.H. 1/4-20x5/8"
12	25 050 02-S1	1	Filter, fuel

**This group for this  
specification number  
does not currently  
have a supporting  
illustration.**

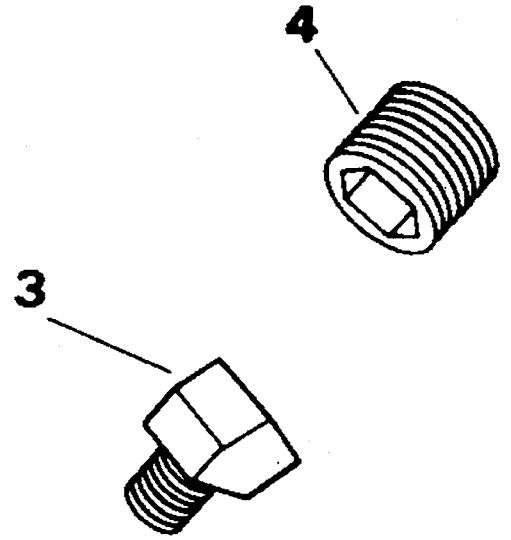
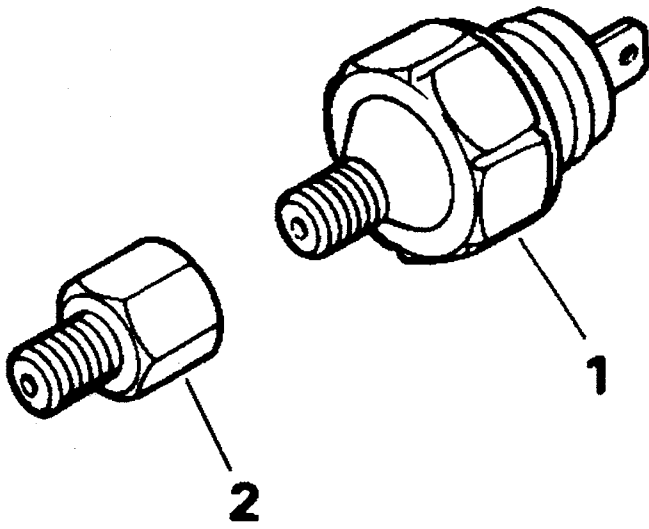
Ref #	Part Number	Qty	Description
	52 755 94-S	1	GASKET SET
	X-583-5-S	1	Oil Seal
	271030-S	1	Gasket, carburetor
	25 041 06-S	1	Gasket, air cleaner elbow
	25 041 05	1	Gasket, fuel pump
	52 032 04-S	1	Seal, breather
	52 032 13-S	2	Seal, valve stem
	52 032 08-S	1	Seal, oil rear - 1-1/2" O.D.
	52 032 10-S	2	Seal, oil
	52 041 15-S	1	Gasket, closure plate
	52 041 09-S	2	Gasket, intake
	52 041 10	2	Gasket, exhaust
	52 041 16-S	1	Gasket, oil filter cover
	52 041 20-S	2	Gasket, cylinder head
	52 055 01-S	2	Gasket, valve cover
	52 055 04-S	2	Gasket, air cleaner
	277093-S	1	Gasket, air cleaner
	52 041 14-S	2	Gasket, exhaust
	25 041 09-S	1	Gasket, fuel pump



Ref #	Part Number	Qty	Description
3	52 186 06-S	1	Arm, governor
4	25 158 09	2	Bushing, linkage Replaced by 25 158 11-S
5	X-81-1-S	1	Nut, hex. 1/4-20
6	X-25-72-S	1	Washer, plain 1/4"
7	52 211 04-S	1	Bolt, R.H. sq. neck 1/4-20x1"
9	52 091 05-S	1	Spring, governor
12	X-67-97-S	2	Screw, hex. wash. hd. 10-24x3/8"
13	235778-S	2	Clamp, cable
16	X-22-12-S	1	Washer, I.T./E.T. 1/4"
17	234614-S	1	Stop, governor
18	52 119 02-S	1	Lever, speed control
19	X-5-1-S	1	Screw, H.C. 1/4-20x5/8"
22	231355-S	1	Pin, governor stop
23	X-25-12-S	1	Washer, plain 1/4"
24	52 078 04-S	1	Shaft, governor
26	X-25-63-S	1	Washer, plain 1/4"
27	X-269-28-S	1	Retainer, governor
28	A-235743-S	1	Kit, governor gear Includes 29
29	237022-S	1	Washer, thrust
31	82 755 07-S	1	Kit, governor linkage Includes 4
44	X-25-102-S	2	Washer, plain 1/4"



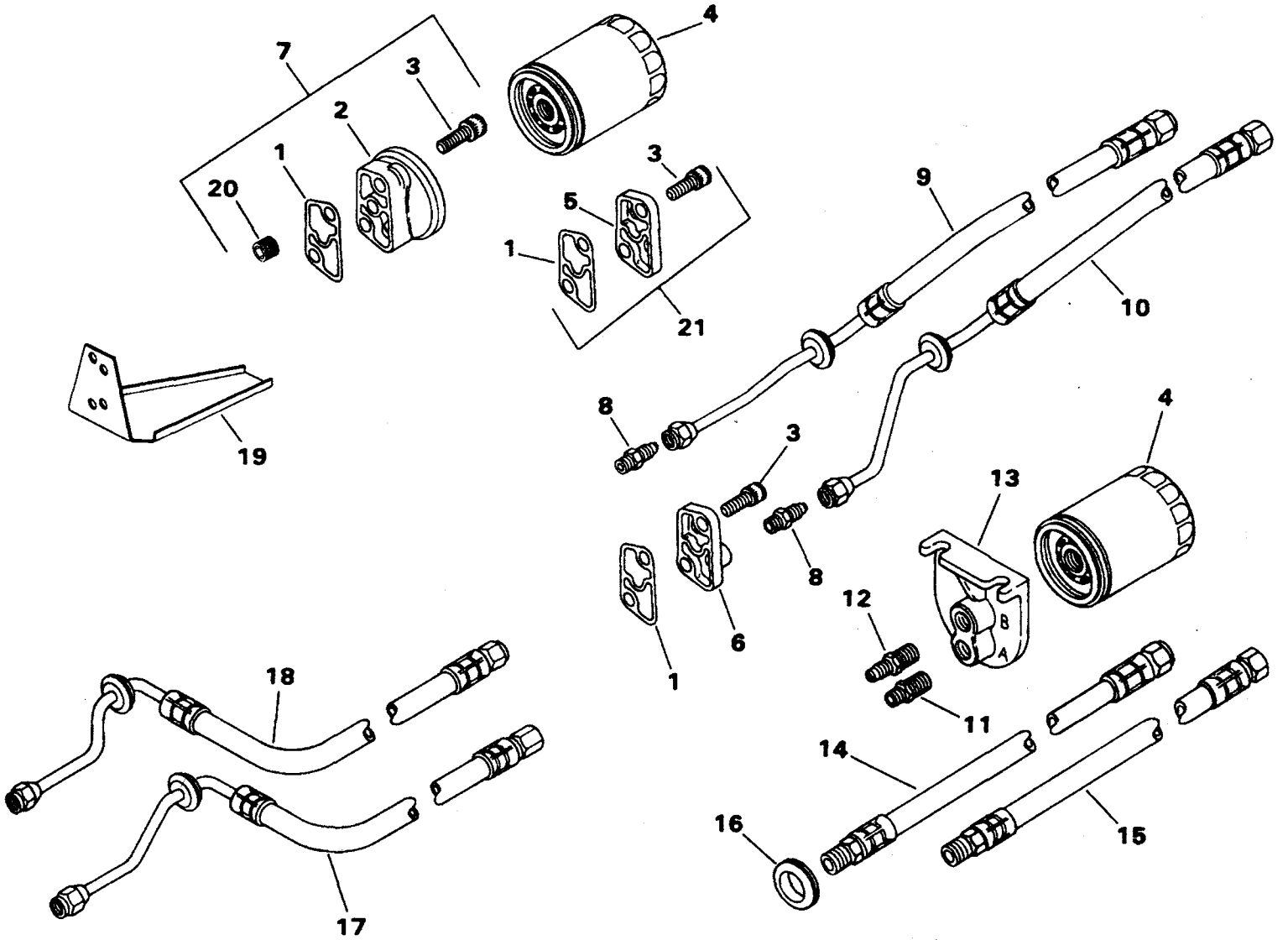
Ref #	Part Number	Qty	Description
1	237878-S	1	Kit, stator (15 amp) Includes 4 and terminal 25 452 01-S
2	X-67-51-S	4	Screw, hex. wash. hd. 10-24x3/4"
6	52 313 02-S	1	Grommet
7	25 755 03-S	1	Kit, rectifier-regulator, 15 amp Includes 17
8	25 086 15-S	2	Screw, hex. wash. hd. 1/4-20x1"
9	52 584 02-S	1	Module
10	25 086 16-S	2	Screw, hex. wash. hd. 1/4-20x1"
11	52 126 08-S	1	Bracket, module
12	51 132 02	2	Spark plug (RV15YC)
15	236602-S	1	Connector, female (3 contact)
17	X-132-5-S	2	Screw, H.C. sems 1/4-20x5/8"
23	41 155 03-S	1	Connector, male (2 contact)
	25 518 05-S	1	Lead, black, rectifier-regulator (5" - 14 gauge - un-insulated push on tab terminals) (Not Illustrated)
	52 518 17-S	1	Lead, white, module to connector (12-1/2" - 14 gauge - insulated push on tab - un-insulated push on tab) (Not Illustrated)
	25 452 01-S	1	Terminal (Not Illustrated)





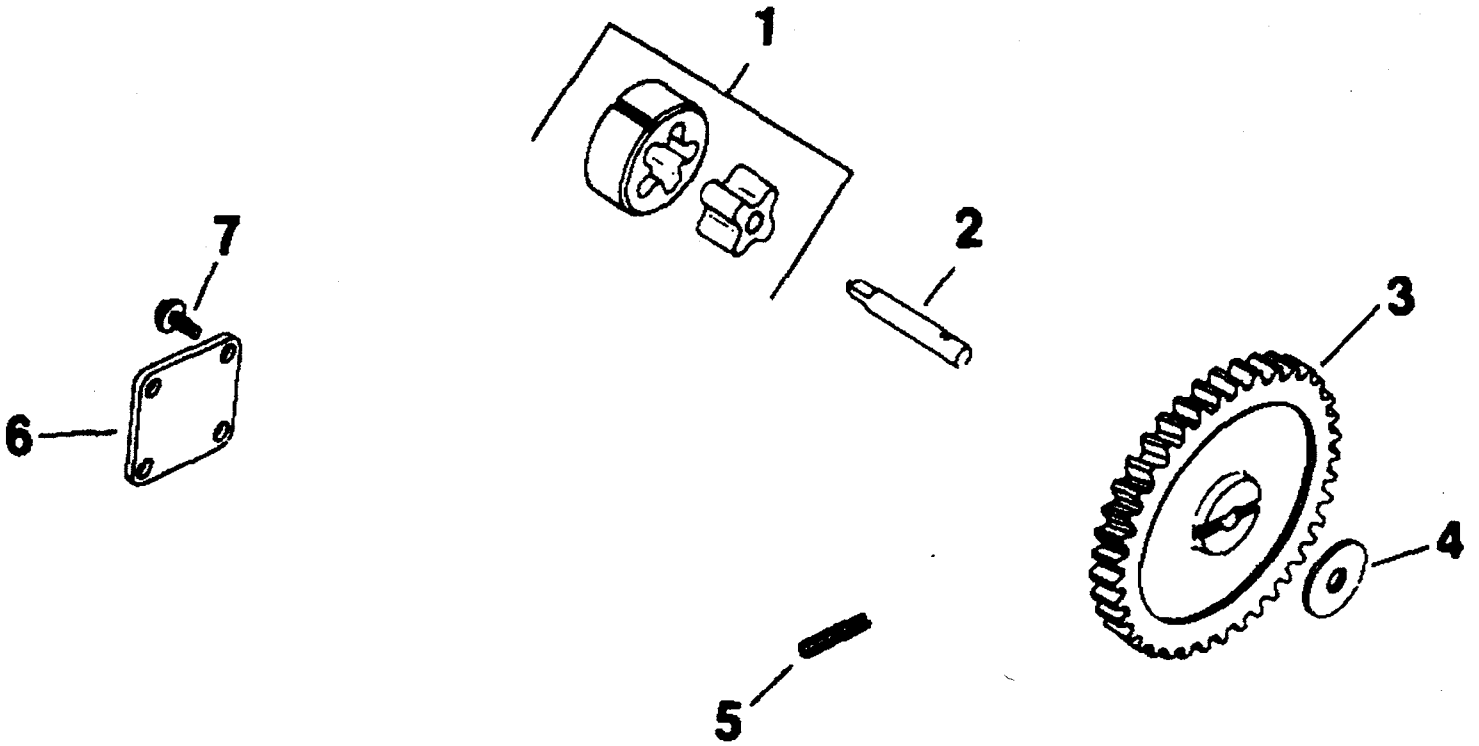
---

Ref #	Part Number	Qty	Description
1	52 099 06	1	Switch, oil pressure
	25 113 05-S	1	Decal, oil sentry (Not Illustrated)



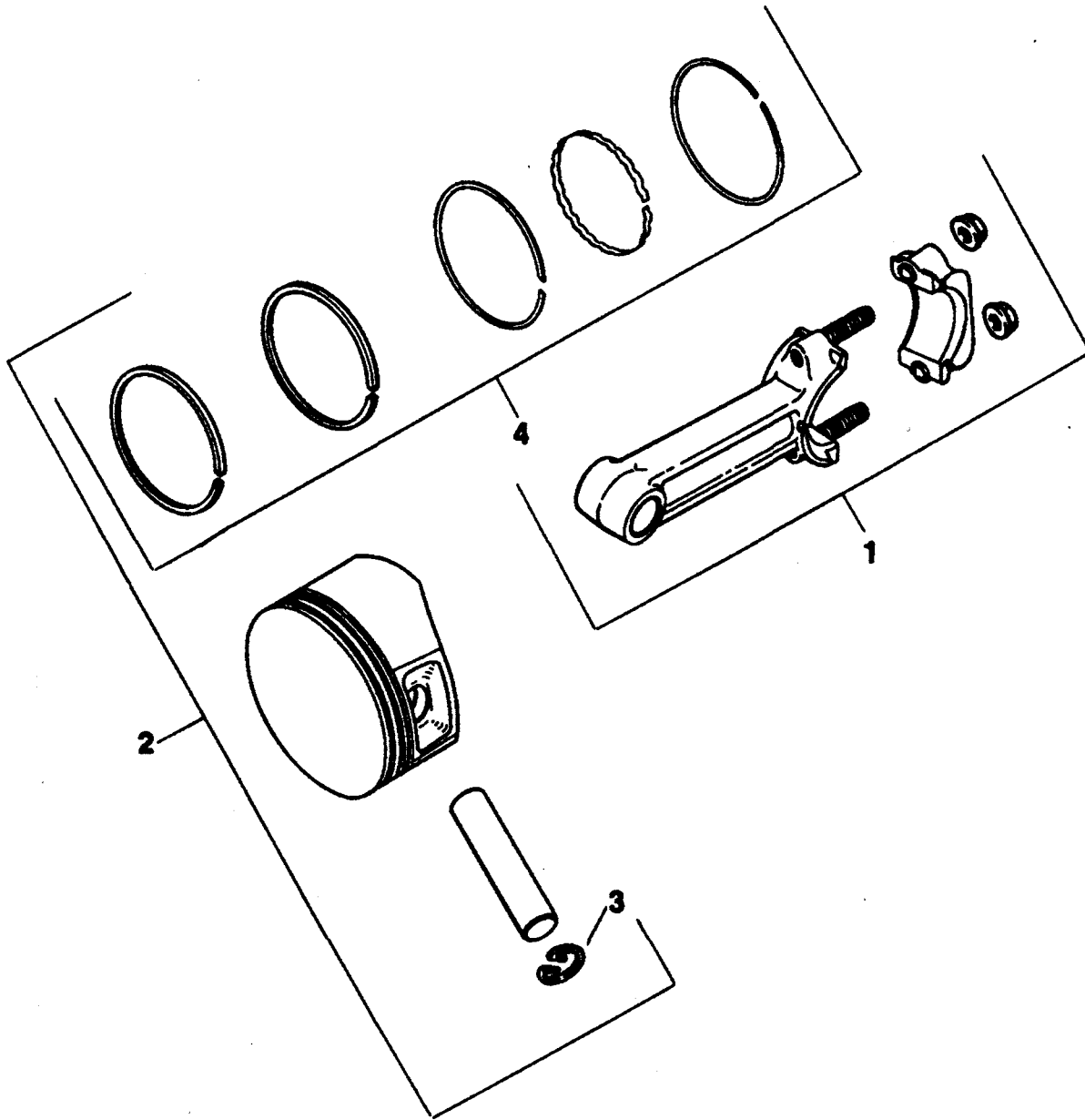
---

Ref #	Part Number	Qty	Description
1	52 041 16-S	1	Gasket
2	52 181 03	1	Adapter
3	X-55-15-S	4	Screw, hex. socket hd. cap 5/16-18x1-1/4"
4	52 050 02-S1	1	Oil filter



---

Ref #	Part Number	Qty	Description
1	52 393 09-S	1	Rotor Set
2	52 144 05-S	1	Shaft, oil pump
3	52 043 05-S	1	Gear, oil pump
4	52 422 01-S	A.R.	Spacer A Maximum of two (2) will be needed.
5	X-280-25-S	1	Pin, roll
6	52 096 03-S	1	Cover, oil pump
7	X-67-64-S	4	Screw, hex. wash. hd. 10-32x7/16"



Ref #	Part Number	Qty	Description
1	52 067 71-S	2	Connecting Rod (Std.)
1	52 067 72-S	2	Connecting Rod (.010)
2	52 874 16-S	1	Piston w/Ring Set (Std.)
2	52 874 17-S	1	Piston w/Ring Set (.003)
2	52 874 18-S	1	Piston w/Ring Set (.010)
2	52 874 19-S	1	Piston w/Ring Set (.020)
2	52 874 20-S	1	Piston w/Ring Set (.030)
3	52 141 01-S	4	Retainer, piston pin
4	52 108 09-S	2	Ring Set (Std. & .003)
4	52 108 10-S	2	Ring Set (.010)
4	52 108 11-S	2	Ring Set (.020)
4	52 108 12-S	2	Ring Set (.030)