

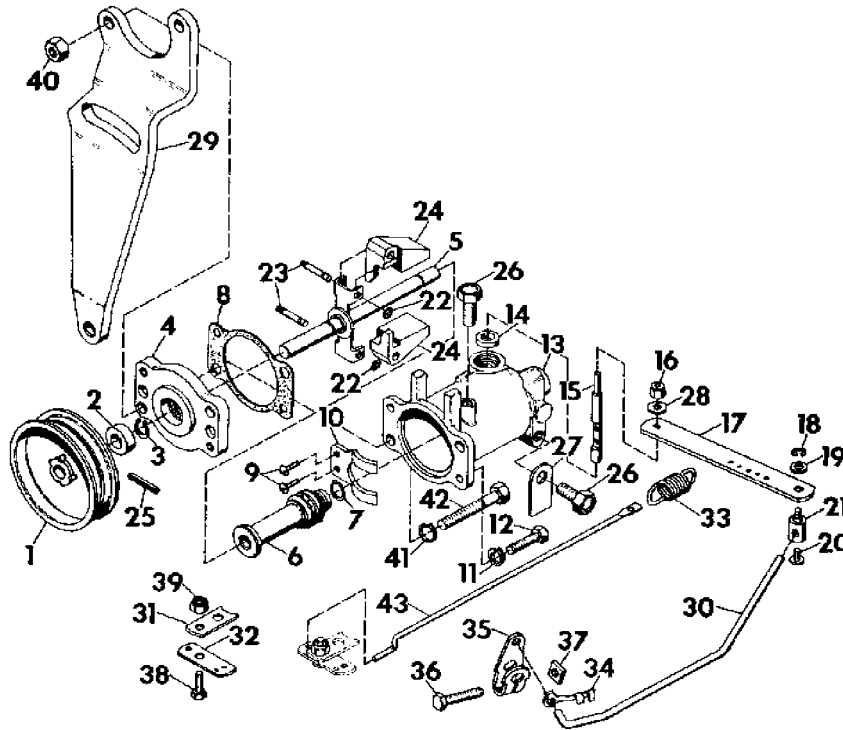


To Continue its program of quality and design improvement, the manufacturer reserves the right to change specifications, design or prices without notice and without incurring obligation.

ILLUSTRATED PARTS LIST

GOVERNOR KIT

Model Number 20040E1
 Effective Date 11-15-74
 Form Number 20921L1



ITEM NO.	PART NO.	DESCRIPTION	ITEM NO.	PART NO.	DESCRIPTION
1	12146P1	Pulley	24	12432P1	Fly Weight
2	20157P1	Seal, Oil, Front Main	25	9422863	Pin, Spring 5/32 x 1-1/8
3	12427P1	Retainer	26	20166P1	Plug, Pipe Special
4	20158P1	Cover and Bearing Assembly	27	2016771	Tag, Oil Level
5	12429P1	Shaft and Yoke	28	120393	Washer, Flat 11/32 x 11/16 x .065
6	12433P1	Thrust Sleeve and Rearing	29	12133P1	Bracket, Mounting
7	12435P1	Retainer	30	10945P1	Rod, Governor Throttle
8	1242521	Gasket, Body to Cover	31	12136P1	Bracket, Governor Control
9	454580	Screw and Ext Lockwasher Asm. 6-32 x 5/16	32	12137P1	Arm, Governor Control
10	20159P1	Lever, Rocket	33	12138P1	Spring, Governor
11	9424256	Washer, Lock No. 12 Extra Duty	34	11881P1	Clip, Throttle Rod
12	9415785	Screw, Mach, Hex 12-24 x 5/8	35	12140P1	Crank, Bell Carburetor
13	20160P1	Body, Assembly	36	454065	Screw, Mach. 10-32 x 3/4 Hex Hd
14	20161P1	Seal, Oil, Rocker Shaft	37	120611	Nut, Mach. 10-32 Sq
15	20162P1	Shaft, Rocker	38	9415796	Screw, Mach, 1/4-20 x 5/8 Hex
16	9419454	Nut, Lock 1/4-20 Washer Insert Hex	39	9413314	Nut, Lack 1/4-20 Type CL Hex
17	20163P1	Lever, Throttle	40	120367	Nut, Hex 1/4-28
18	20164P1	Retainer	41	120350	Washer, Lock 1/4 SP
19	446143	Washer, Flat 3/16 x 3/8 x .049	42	181573	Bolt, Hex 1/4-28 x 1-1/4
20	436728	Screw, Mach. 10-24 x 1/4 Pan Hd	43	12135P1	Link, Governor Control
21	20165P1	Hub, Cable Lock	NS	7176P1	Bracket, Manual Choke
22	12430P1	Retainer	NS	7331P1	Clip, Speed
23	12431P1	Pin, Pivot	NS	20036A1	Governor