

**GRAVELLY®**

[WWW.OLDGRAVELYS.NET](http://WWW.OLDGRAVELYS.NET)

**9000 Series  
Grounds Maintenance  
Tractor  
PARTS CATALOG**

Form: 31195 (7/79)  
Printed in U.S.A.

TO CONTINUE ITS PROGRAM OF QUALITY AND DESIGN IMPROVEMENT, THE MANUFACTURER  
RESERVES THE RIGHT TO CHANGE SPECIFICATIONS, DESIGNS AND PRICES WITHOUT NOTICE  
AND WITHOUT INCURRING OBLIGATION

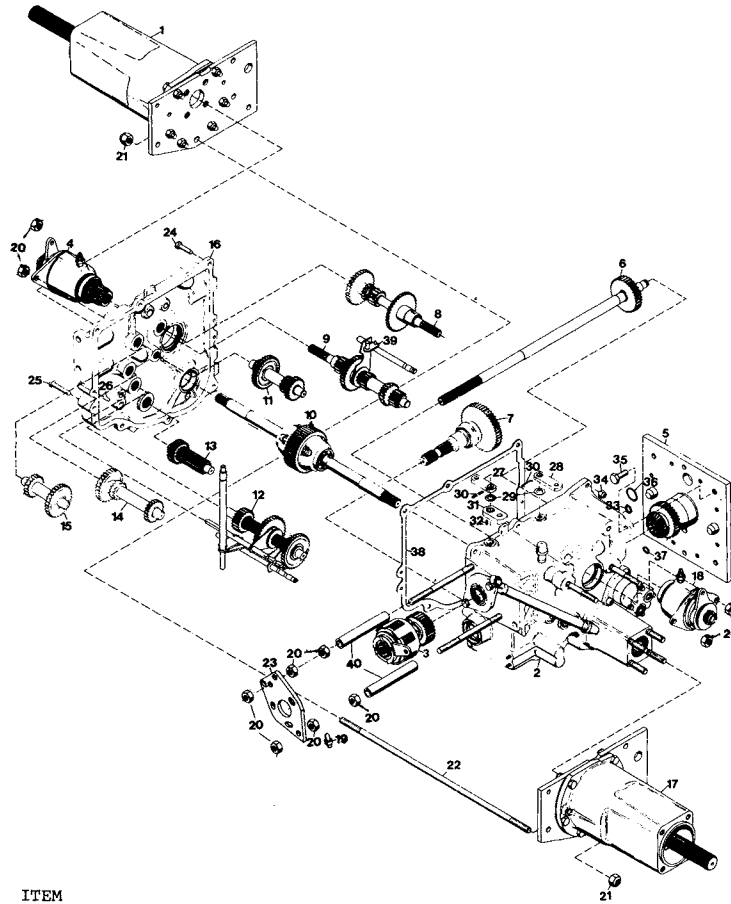


1 Gravelly Lane  
Clemmons, N. C. 27012

## TABLE OF CONTENTS

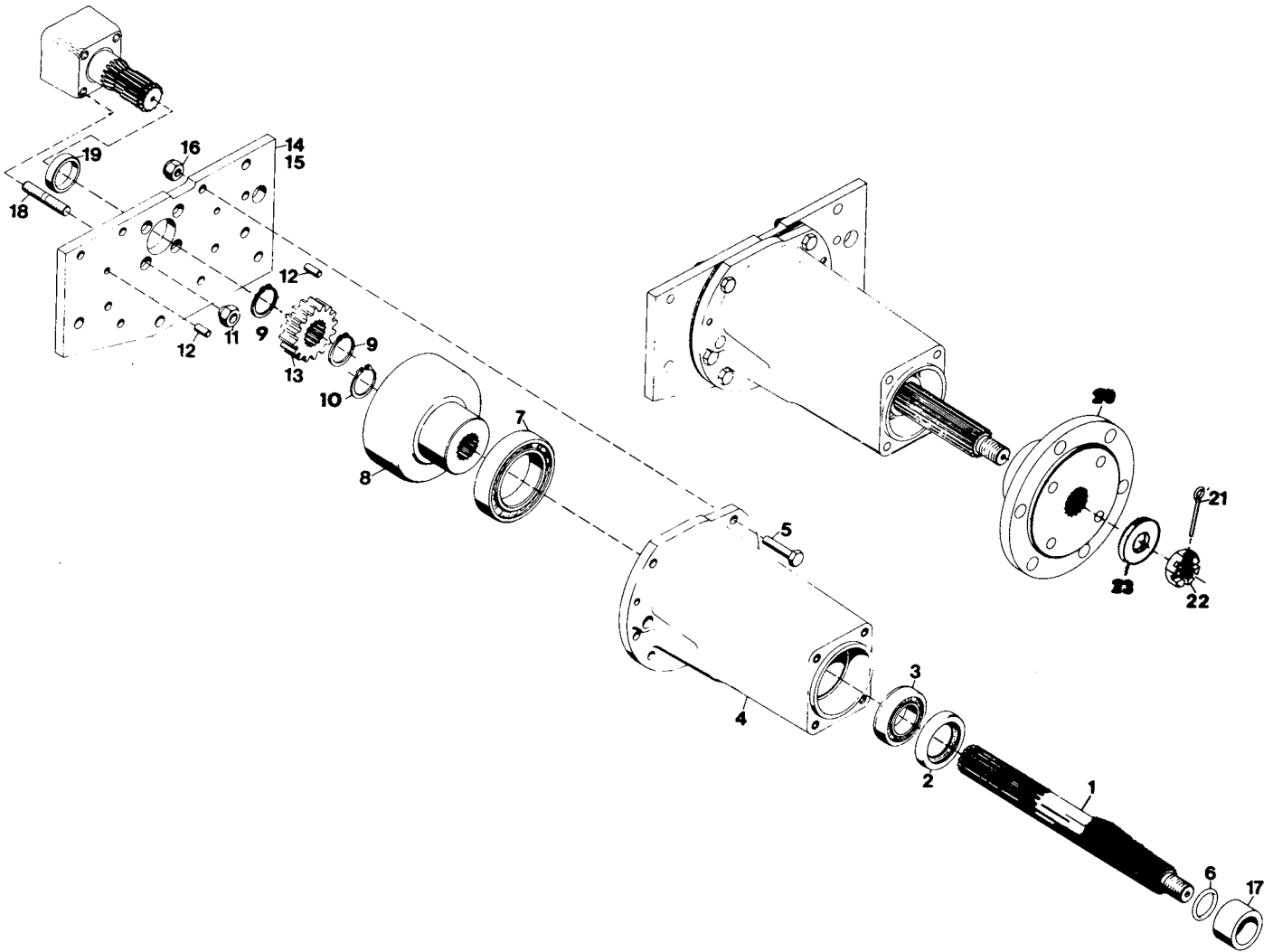
|   | Page   |
|---|--------|
| Transmission .....  | 1      |
| Drop Axle .....   | 2      |
| Rear Cover Plate .....                                      | 3      |
| Transmission Cover .....                                    | 4      |
| Number Six Shaft and Sliding Gears .....                    | 5      |
| Number Four Shaft and Idler Gears .....                     | 5      |
| Number Five Shaft, First Gear and Second Gear .....         | 6      |
| Number Three Shaft, Third Gear and Fourth Gear .....        | 6      |
| Number Seven Shaft, Pinion Shaft and Final Drive Gear ..... | 6      |
| Number Eight Shaft and Differential .....                   | 7      |
| Transmission Input Shaft .....                              | 7      |
| Number One Shaft, Forward Clutch Shaft .....                | 8      |
| Number Two Shaft, Reverse Clutch Shaft .....                | 8      |
| P.T.O. Clutch .....   | 9      |
| Number Ten Shaft and PTO Drive Gear .....                   | 9      |
| Forward and Reverse Clutch .....                            | 10     |
| Transmission Case .....                                     | 11     |
| Tractor Frame .....   | 12, 13 |
| Fuel System, Cooling System and Exhaust System .....        | 14, 15 |
| Hydraulic System and Steering System .....                  | 16, 17 |
| Transmission Controls and Brakes .....                      | 18, 19 |
| Front and Rear Wheel .....                                  | 20     |
| Electric System .....                                       | 21     |
| Seat .....  | 22     |
| Wiring Diagram .....  | 23     |

# TRANSMISSION



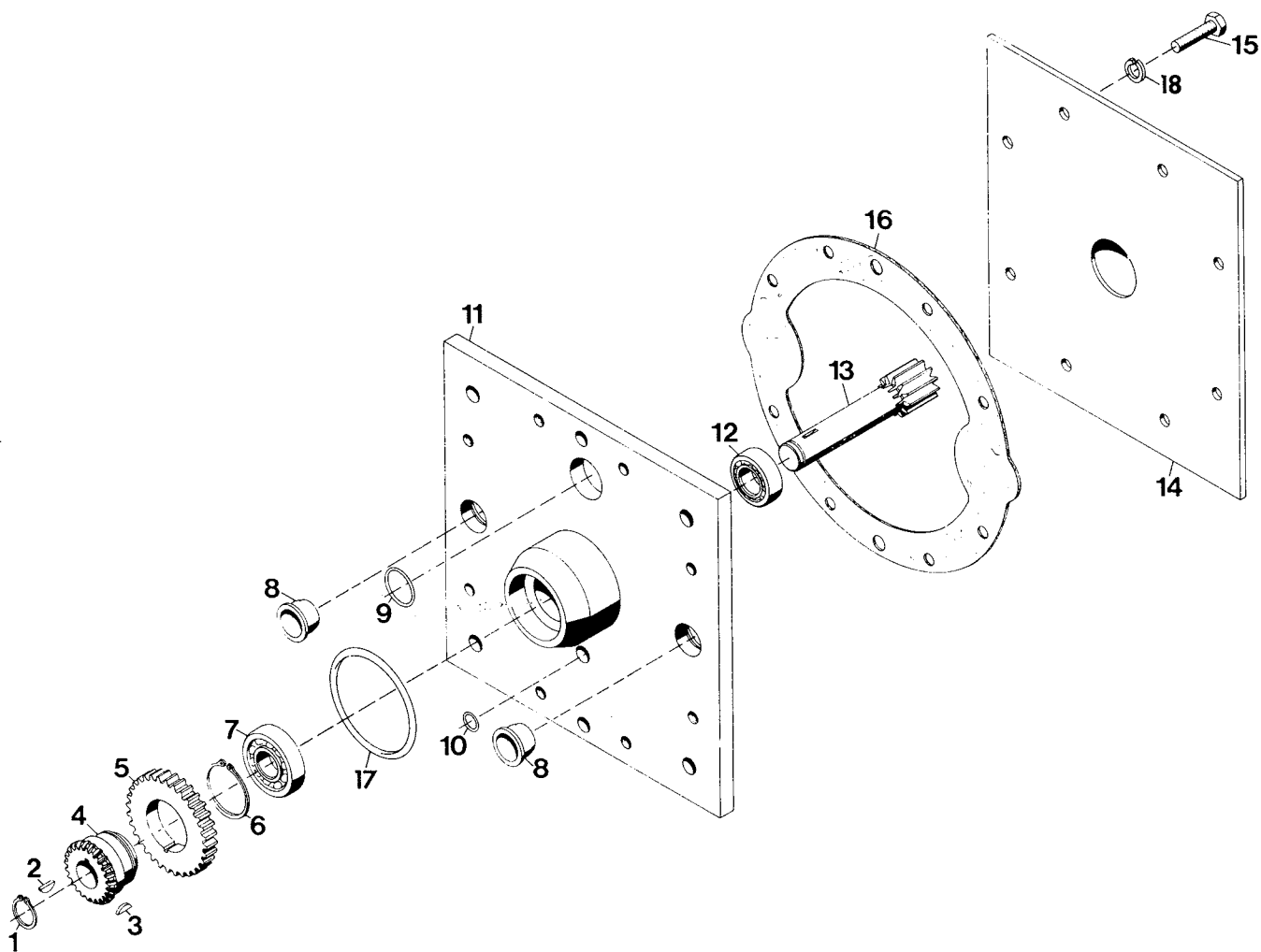
| ITEM NO. | PART NO.  | QTY. | DESCRIPTION   |
|----------|-----------|------|---|
| 1        | REFER TO: |      | Drop Axle   |
| 2        | REFER TO: |      | Transmission Case                                     |
| 3        | REFER TO: |      | P.T.O. Clutch   |
| 4        | REFER TO: |      | Number One Shaft and Forward Clutch                   |
| 5        | REFER TO: |      | Rear Cover Plate                                      |
| 6        | REFER TO: |      | Transmission Input Shaft                              |
| 7        | REFER TO: |      | Number Ten Shaft and P.T.O. Drive                     |
| 8        | REFER TO: |      | Number Two Shaft, Reverse Clutch Shaft                |
| 9        | REFER TO: |      | Number One Shaft, Forward Clutch Shaft                |
| 10       | REFER TO: |      | Number Eight Shaft and Differential                   |
| 11       | REFER TO: |      | Number Three Shaft, Third Gear and Fourth Gear        |
| 12       | REFER TO: |      | Number Six Shaft and Sliding Gears                    |
| 13       | REFER TO: |      | Number Seven Shaft, Pinion Shaft and Final Drive Gear |
| 14       | REFER TO: |      | Number Five Shaft, First Gear and Second Gear         |
| 15       | REFER TO: |      | Number Four Shaft and Idler Gears                     |
| 16       | REFER TO: |      | Transmission Cover                                    |
| 17       | REFER TO: |      | Drop Axle   |
| 18       | REFER TO: |      | Forward and Reverse Clutch                            |
| 19       | 23370     | 3    | Roller, Clutch  |
| 20       | 124934    | 10   | Nut, Jam; 1/2-20                                      |
| 21       | 435507    | 2    | Nut, Lock; 1/2-13 Washer Insert                       |
| 22       | 21615     | 1    | Rod Strut   |
| 23       | 21621     | 1    | Plate, PTO Clutch                                     |
| 24       | 180125    | 6    | Bolt, Hex; 3/8-16 x 1-3/8                             |
| 25       | 180132    | 2    | Bolt, Hex; 3/8-16 x 2-1/4                             |
| 26       | 18089     | 2    | Pin, Dowel; .375 x .625                               |
| 27       | 17945     | 1    | Arm, Shifter  |
| 28       | 17929     | 1    | Arm, Shifter  |
| 29       | 21141     | 2    | Washer, Felt; (Special for Transmission)              |
| 30       | 421202    | 2    | Pin, Spring; 3/16 x 1                                 |
| 31       | 17944     | 1    | Arm, Shifter  |
| 32       | 271089    | 1    | Key, Woodruff; .125 x .375 Hard                       |
| 33       | 20289     | 1    | Ring, Retaining; .669 Shaft                           |
| 34       | 456004    | 6    | Nut, Lock; 3/8-16 Washer Insert Hex                   |
| 35       | 180173    | 4    | Bolt, Hex; 1/2-13 x 1                                 |
| 36       | 24300     | 1    | O-Ring; 2.25 x 2.00 x .125                            |
| 37       | 22438     | 1    | O-Ring; .549 x .755 x .103                            |
| 38       | 18027     | 1    | Gasket, Trans Cover                                   |
| 39       | 17926     | 1    | Weldment, Shifter                                     |
| 40       | 23538     | 2    | Tube, Front: P.T.O.                                   |

# DROP AXLE



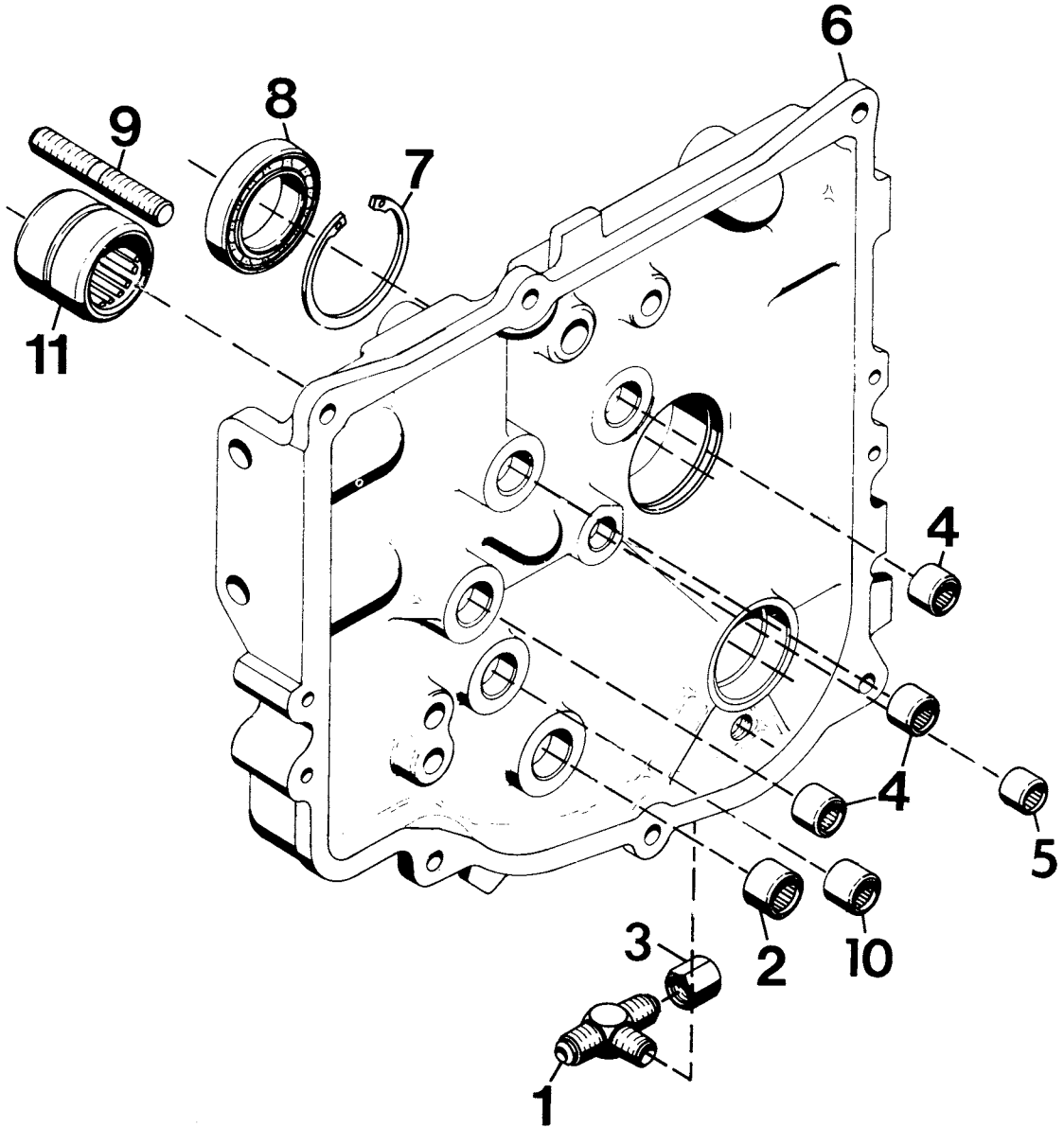
| ITEM NO. | PART NO. | QTY. | DESCRIPTION                              |
|----------|----------|------|--|
| 1        | 23484    | 1    | Axle, Drop                               |
| 2        | 23482    | 1    | Seal, Oil; 2.000 x 2.835 x .375          |
| 3        | 17984    | 1    | Bearing, Ball; 1.378 x 2.834 x .669      |
| 4        | 21610    | 1    | Housing, Drop Axle                       |
| 5        | 180128   | 6    | Bolt, Hex; 3/8-16 x 1-3/4                |
| 6        | 23481    | 1    | O-Ring; 1.359 x 1.637 x .139             |
| 7        | 21611    | 1    | Bearing, Ball; 2.362 x 4.331 x .866      |
| 8        | 21612    | 1    | Internal Gear, Drop Axle 32T             |
| 9        | 21608    | 2    | Ring, Retaining; 1.250 Shaft Heavy       |
| 10       | 21582    | 1    | Ring, Retaining 1.375                    |
| 11       | 11058    | 4    | Nut (Rim)                                |
| 12       | 3184     | 2    | Pin, Dowel; 3/8 x 3/4                    |
| 13       | 21607    | 1    | Gear, Drop Axle Pinion                   |
| 14       | 21604    | 1    | Plate, Axle Housing (R. H.)              |
| 15       | 21605    | 1    | Plate, Axle Housing (L. H.)              |
| 16       | 456004   | 6    | Nut, Lock; 3/8-16 Washer Insert Hex      |
| 17       | 23480    | 1    | Spacer, Drop Axle; 1.378 x 2.003 x 1.310 |
| 18       | 11187    | 4    | Stud, Axle                               |
| 19       | 21907    | 1    | Bushing, Drop Axle Pilot                 |
| 20       | 23483    | 1    | Hub, Wheel                               |
| 21       | 137228   | 1    | Pin, Cotter; .156 x 1.500                |
| 22       | 273196   | 1    | Nut, Slotted; 1.0-12                     |
| 23       | 131019   | 1    | Washer Flat 1-1/16 x 2 x .134            |

# REAR COVER PLATE



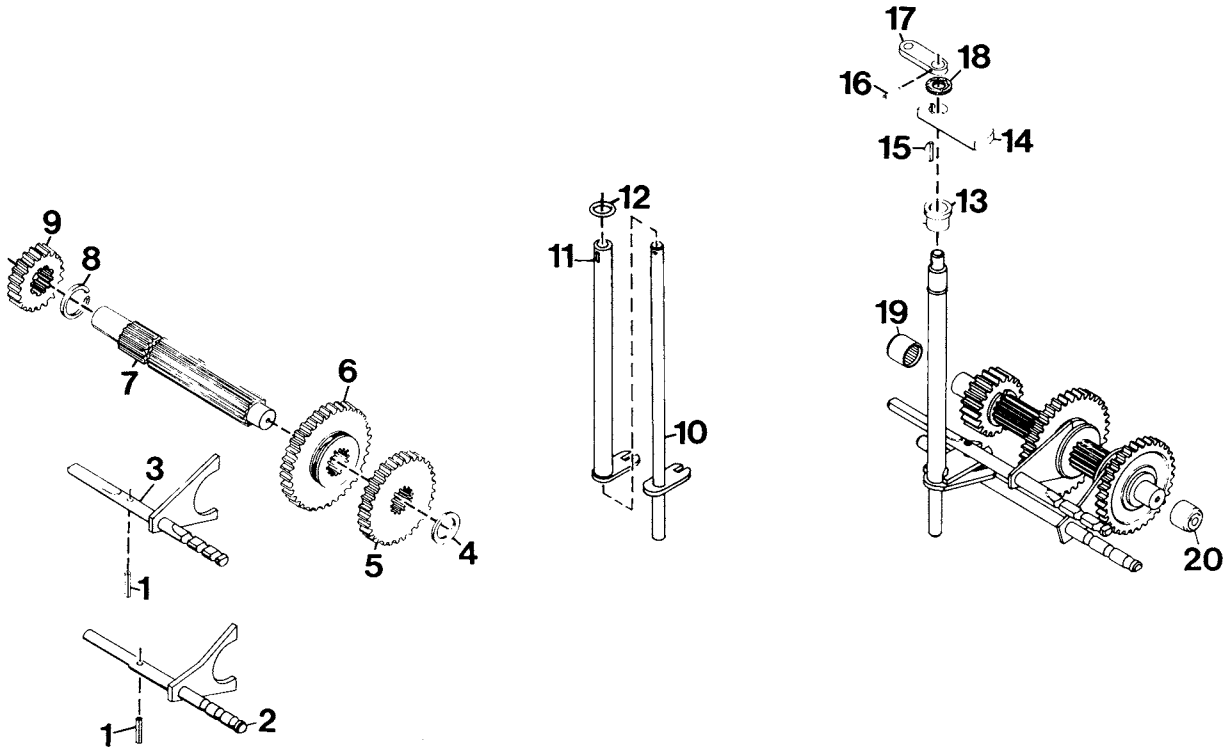
| ITEM NO. | PART NO. | QTY. | DESCRIPTION                         |
|----------|----------|------|-------------------------------------|
| 1        | 21557    | 1    | Ring, Retaining; .984 Shaft         |
| 2        | 431787   | 1    | Key, Woodruff; .188 x .625 Hard     |
| 3        | 103909   | 1    | Key, Woodruff; .250 x 1.125 Soft    |
| 4        | 21554    | 1    | Gear, Bevel                         |
| 5        | 21555    | 1    | Gear, 10 DP 32 Teeth .600 Standard  |
| 6        | 21556    | 1    | Ring, Retaining; 2.000 Shaft        |
| 7        | 12984    | 1    | Bearing, Ball; .984 x 2.449 x .669  |
| 8        | 22553    | 2    | Plug, Rear Trans. Plate             |
| 9        | 24300    | 1    | O-Ring; 2.25 x 2.00 x .125          |
| 10       | 22438    | 1    | O-Ring; .549 x .755 x .103          |
| 11       | 21548    | 1    | Adaptor Plate Weldment              |
| 12       | 21929    | 1    | Bearing, Ball; .984 x 2.0472 x .590 |
| 13       | 21552    | 1    | Shaft, Sun Gear                     |
| 14       | 21576    | 1    | Weldment, Cover Plate               |
| 15       | 180075   | 8    | Bolt, Hex; 5/16-18 x 5/8            |
| 16       | 22398    | 1    | Gasket, Trans Rear Cover Plate      |
| 17       | 18346    | 1    | O-Ring; 3.000 x 3.188 x .094        |
| 18       | 120214   | 8    | Washer, Lock; 5/16 SP               |

# TRANSMISSION COVER



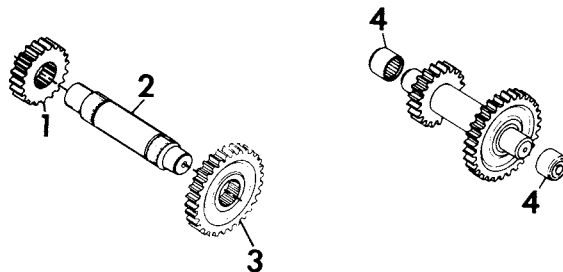
| ITEM NO. | PART NO. | QTY. | DESCRIPTION                            |
|----------|----------|------|--|
| 1        | 22430    | 1    | Adapter, Tee                           |
| 2        | 17912    | 1    | Bearing, Needle; 1.000 x 1.250 x .750  |
| 3        | 22431    | 1    | Nut, Cap                               |
| 4        | 22446    | 3    | Bearing, Roller; .750 x 1.000 x .750   |
| 5        | 17914    | 1    | Bearing, Needle 5/8 x 1 3/16 x 3/4     |
| 6        | 21559    | 1    | Cover, Transmission                    |
| 7        | 18872    | 1    | Ring, Retaining; 3.156 Bore            |
| 8        | 17915    | 1    | Bearing, Ball; 1.968 x 3.149 x .629    |
| 9        | 11187    | 4    | Stud, Axle                             |
| 10       | 23499    | 1    | Bearing, Needle                        |
| 11       | 21603    | 1    | Bearing, Roller; 1.501 x 2.062 x 1.250 |
| 12       | 23499    | 1    | Bearing, Needle                        |

## NUMBER SIX SHAFT AND SLIDING GEARS



| <u>ITEM NO.</u> | <u>PART NO.</u> | <u>QTY.</u> | <u>DESCRIPTION</u>                        |
|-----------------|-----------------|-------------|---|
| 1               | 456390          | 2           | Pin, Spring; 1/4 x 3/4                    |
| 2               | 20762           | 1           | Weldment, Rail Shift Fork 2+4 Range       |
| 3               | 20761           | 1           | Weldment, Rail Shift Fork 1+3 Range       |
| 4               | 14998           | 2           | Race, Bearing Thrust; .752 x 1.240 x .095 |
| 5               | 23495           | 1           | Gear, Sliding                             |
| 6               | 23494           | 1           | Gear, Sliding                             |
| 7               | 23493           | 1           | Shaft, Sliding Gear #6                    |
| 8               | 21608           | 1           | Ring, Retaining; 1.250 Shaft Heavy        |
| 9               | 23496           | 1           | Gear, 8 DP 32 Teeth .850                  |
| 10              | 17937           | 1           | Weldment, 2nd and 4th Shifter             |
| 11              | 17940           | 1           | Weldment, 1st and 3rd Shifter             |
| 12              | 18018           | 1           | O-Ring; 5/8 x 3/4 x 1/16                  |
| 13              | 17943           | 1           | Bushing, .756 x 1.125 x .75               |
| 14              | 17944           | 1           | Arm, Shifter                              |
| 15              | 271089          | 1           | Key, Woodruff; .125 x .375 Hard           |
| 16              | 421202          | 1           | Pin, Spring; 3/16 x 1                     |
| 17              | 17945           | 1           | Arm, Shifter                              |
| 18              | 21141           | 1           | Washer, Felt; (Special for Transmission)  |
| 19              | 23499           | 1           | Bearing, Needle                           |
| 20              | 22446           | 1           | Bearing, Roller; .750 x 1.000 x .750      |

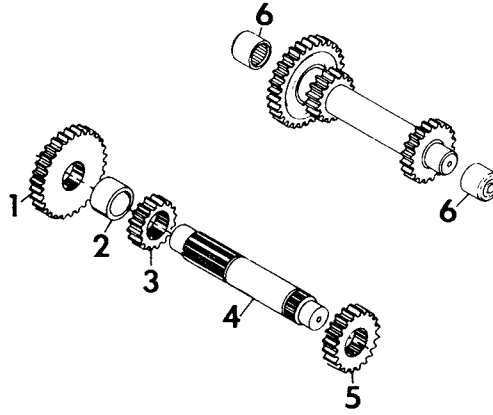
## NUMBER FOUR SHAFT AND IDLER GEARS



| <u>ITEM NO.</u> | <u>PART NO.</u> | <u>QTY.</u> | <u>DESCRIPTION</u>                   |
|-----------------|-----------------|-------------|--------------------------------------|
| 1               | 15118           | 1           | Gear, 10 DP 20 Teeth x .600          |
| 2               | 23489           | 1           | Shaft, Splined No. 4                 |
| 3               | 23512           | 1           | Gear, 8 DP 24 Teeth x .500           |
| 4               | 22446           | 2           | Bearing, Roller; .750 x 1.000 x .750 |

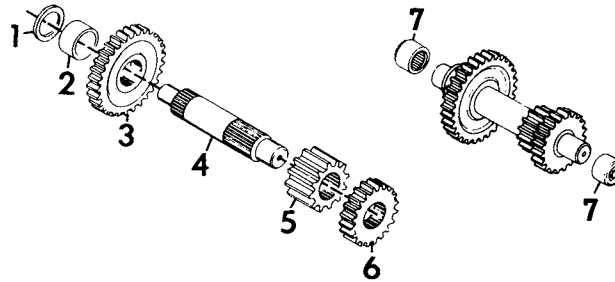


## NUMBER FIVE SHAFT, FIRST GEAR AND SECOND GEAR



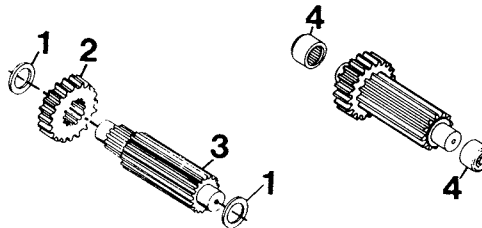
| ITEM NO. | PART NO. | QTY. | DESCRIPTION                          |
|----------|----------|------|--------------------------------------|
| 1        | 15115    | 1    | Gear, 10 DP 30 Teeth x .500          |
| 2        | 17993    | 1    | Spacer, 1.057 x 1.250 x .550         |
| 3        | 23510    | 1    | Gear, 8 DP 13 Teeth x .750           |
| 4        | 23487    | 1    | Shaft, Splined No. 5                 |
| 5        | 23511    | 1    | Gear, 8 DP 16 Teeth x .600           |
| 6        | 22446    | 2    | Bearing, Roller; .750 x 1.000 x .750 |

## NUMBER THREE SHAFT, THIRD GEAR AND FOURTH GEAR



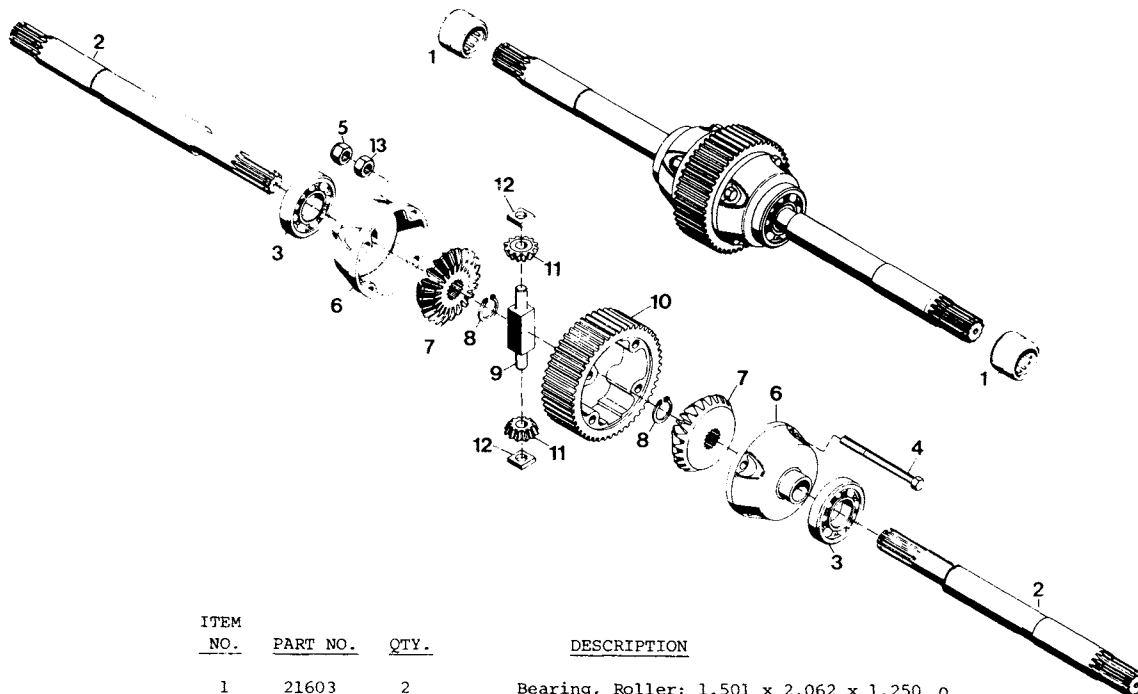
| ITEM NO. | PART NO. | QTY. | DESCRIPTION                            |
|----------|----------|------|--|
| 1        | 18000    | 1    | Bearing, Thrust Race                   |
| 2        | 17999    | 1    | Spacer, 1.027 x 1.125 x .457           |
| 3        | 19535    | 1    | Gear                                   |
| 4        | 23488    | 1    | Shaft, Splined No. 3                   |
| 5        | 23510    | 1    | Gear, 8 DP 13 Teeth x .750             |
| 6        | 23511    | 1    | Gear, 8 DP 16 Teeth x .600             |
| 7        | 17914    | 2    | Bearing, Needle 5/8 x 1 3/16 x 3/4 .15 |

## NUMBER SEVEN SHAFT, PINION SHAFT AND FINAL DRIVE GEAR



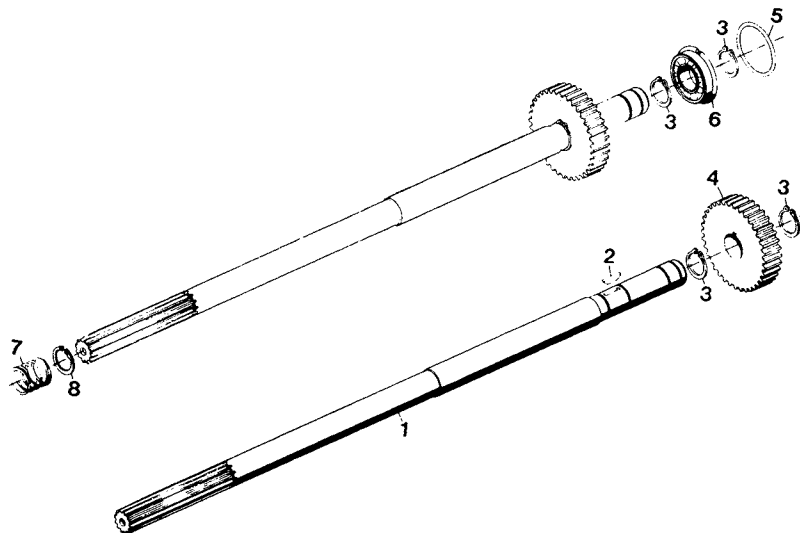
| ITEM NO. | PART NO. | QTY. | DESCRIPTION                                |
|----------|----------|------|--|
| 1        | 19340    | 2    | Race, Bearing Thrust; 1.002 x 1.552 x .030 |
| 2        | 21538    | 1    | Gear, 8 DP 23 Teeth .750                   |
| 3        | 23486    | 1    | Final Drive Pinion                         |
| 4        | 17912    | 2    | Bearing, Needle; 1.000 x 1.250 x .750      |

## NUMBER EIGHT SHAFT AND DIFFERENTIAL



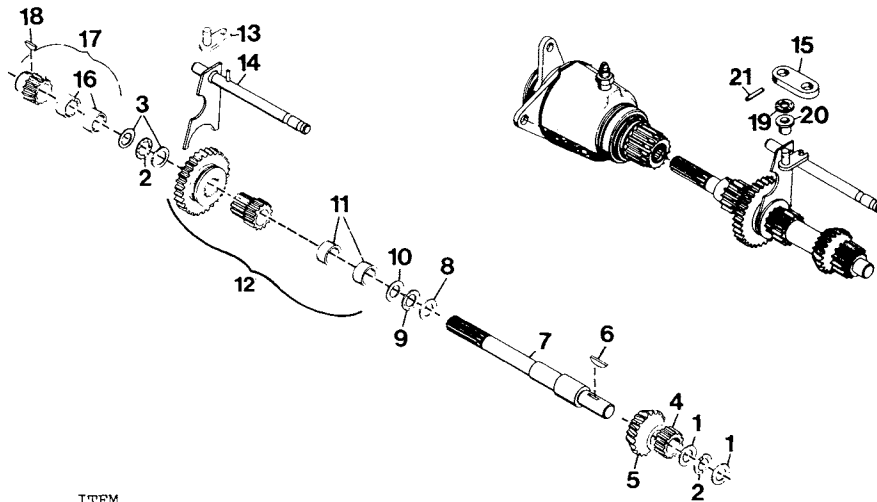
| <u>ITEM NO.</u> | <u>PART NO.</u> | <u>QTY.</u> | <u>DESCRIPTION</u>                       |
|-----------------|-----------------|-------------|--|
| 1               | 21603           | 2           | Bearing, Roller; 1.501 x 2.062 x 1.250 0 |
| 2               | 24821           | 2           | Axle, Bevel Gear                         |
| 3               | 17984           | 2           | Bearing, Ball; 1.378 x 2.834 x .669      |
| 4               | 23712           | 4           | Bolt Hex 5/16-18 x 2.750 Grade 8         |
| 5               | 20514           | 4           | Nut, Hex; 5/16-18 Grade-8                |
| 6               | 19956           | 2           | Cap, Differential End                    |
| 7               | 19953           | 2           | Gear, Bevel                              |
| 8               | 17980           | 2           | Ring, Retaining; 1.000 Shaft             |
| 9               | 19954           | 1           | Pin, Spider Pinion                       |
| 10              | 23531           | 1           | Gear, Final Drive                        |
| 11              | 19952           | 2           | Pinion, Bevel                            |
| 12              | 21536           | 2           | Block, Drive                             |
| 13              | 124824          | 4           | Nut, Jam 5/16-18 Hex HD.                 |

## TRANSMISSION INPUT SHAFT



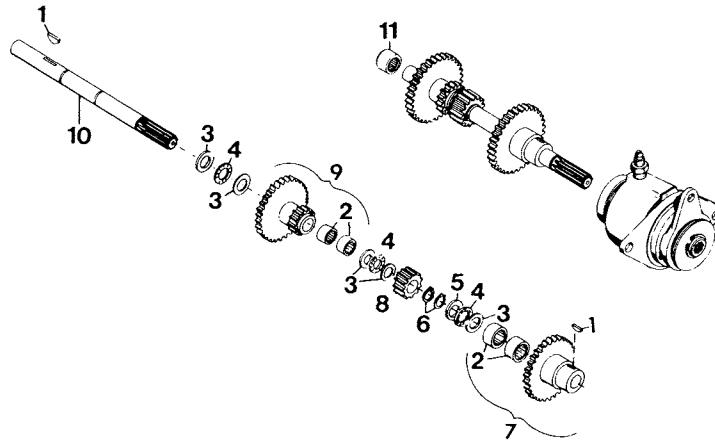
| <u>ITEM NO.</u> | <u>PART NO.</u> | <u>QTY.</u> | <u>DESCRIPTION</u>                      |
|-----------------|-----------------|-------------|---|
| 1               | 21521           | 1           | Shaft, Transmission Input               |
| 2               | 124549          | 1           | Key, Woodruff; .187 x .750 Hard         |
| 3               | 21557           | 4           | Ring, Retaining; .984 Shaft             |
| 4               | 21520           | 1           | Gear, Transmission Input                |
| 5               | 22438           | 1           | O-Ring; .549 x .755 x .103              |
| 6               | 23272           | 1           | Bearing, Ball                           |
| 7               | 20444           | 1           | Spring, Comp Type; 1.0 x .80 x 36 Lb/in |
| 8               | 23527           | 1           | Ring, Retaining                         |

## NUMBER ONE SHAFT, FORWARD CLUTCH SHAFT



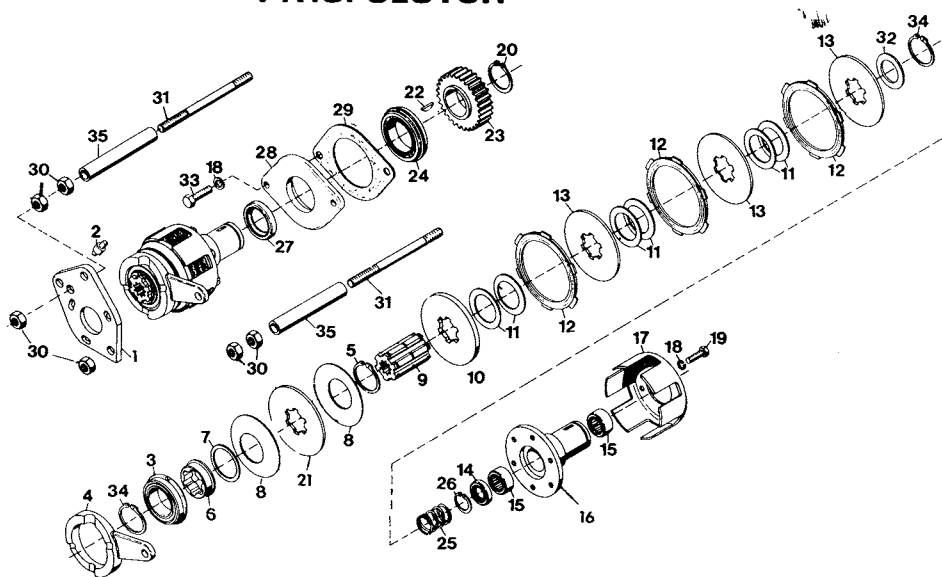
| ITEM NO. | PART NO. | QTY. | DESCRIPTION                                 |
|----------|----------|------|---|
| 1        | 14998    | 1    | Race, Bearing Thrust; .752 x 1.240 x .095   |
| 2        | 6741     | 2    | Bearing, Needle Thrust; .752 x 1.240 x .078 |
| 3        | 11223    | 3    | Race, Bearing Thrust; .752 x 1.240 x .030   |
| 4        | 23540    | 1    | Gear, #1 Shaft                              |
| 5        | 18006    | 1    | Gear, Bevel                                 |
| 6        | 117989   | 1    | Key, Woodruff; 3/16 x 1-1/4 Hard No. 19     |
| 7        | 21540    | 1    | Shaft, Fwd. Clutch                          |
| 8        | 21542    | 1    | Race, Bearing Thrust; .877 x 1.427 x .060   |
| 9        | 21543    | 1    | Bearing, Needle Thrust; .875 x 1.427 x .07  |
| 10       | 21541    | 1    | Race, Bearing Thrust; .877 x 1.427 x .030   |
| 11       | 21546    | 2    | Bearing, Needle; .875 x 1.125 x .500        |
| 12       | 24997    | 1    | Assm. 2 Speed Gear and Bearing Assm.        |
| 13       | 17926    | 1    | Weldment, Shifter                           |
| 14       | 20755    | 1    | Shift Rail Weldment                         |
| 15       | 17929    | 1    | Arm, Shifter                                |
| 16       | 17949    | 2    | Bearing, Needle; 3/4 x 1 x 1/2              |
| 17       | 21560    | 1    | Gear & Bearing Assembly                     |
| 18       | 431787   | 1    | Key, Woodruff; .188 x .625 Hard             |
| 19       | 21141    | 1    | Washer, Felt; (Special for Transmission)    |
| 20       | 17925    | 1    | Bushing, 2-Speed                            |
| 21       | 421202   | 1    | Pin, Spring; 3/16 x 1                       |

## NUMBER TWO SHAFT, REVERSE CLUTCH SHAFT



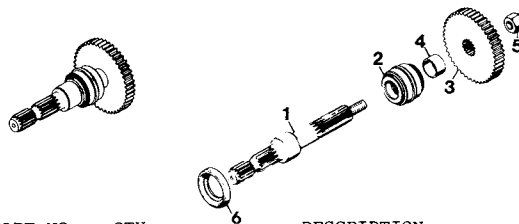
| ITEM NO. | PART NO. | QTY. | DESCRIPTION                                 |
|----------|----------|------|---|
| 1        | 431787   | 1    | Key, Woodruff; .188 x .625 Hard             |
| 2        | 17949    | 2    | Bearing, Needle; 3/4 x 1 x 1/2              |
| 3        | 11223    | 1    | Race, Bearing Thrust; .752 x 1.240 x .030   |
| 4        | 6741     | 1    | Bearing, Needle Thrust; .752 x 1.240 x .078 |
| 5        | 6742     | 1    | Race, Bearing Thrust; .060                  |
| 6        | 11135    | 2    | Ring, Retaining; .750 Shaft                 |
| 7        | 17947    | 1    | Assembly, Reverse Gear and Bearing          |
| 8        | 18003    | 1    | Gear, 10 DP 16 Teeth x .750 Standard        |
| 9        | 18020    | 1    | Gear, Idler Assembly                        |
| 10       | 20448    | 1    | Shaft, Splined Reverse Clutch               |
| 11       | 22446    | 1    | Bearing, Roller; .750 x 1.000 x .750        |

## P.T.O. CLUTCH



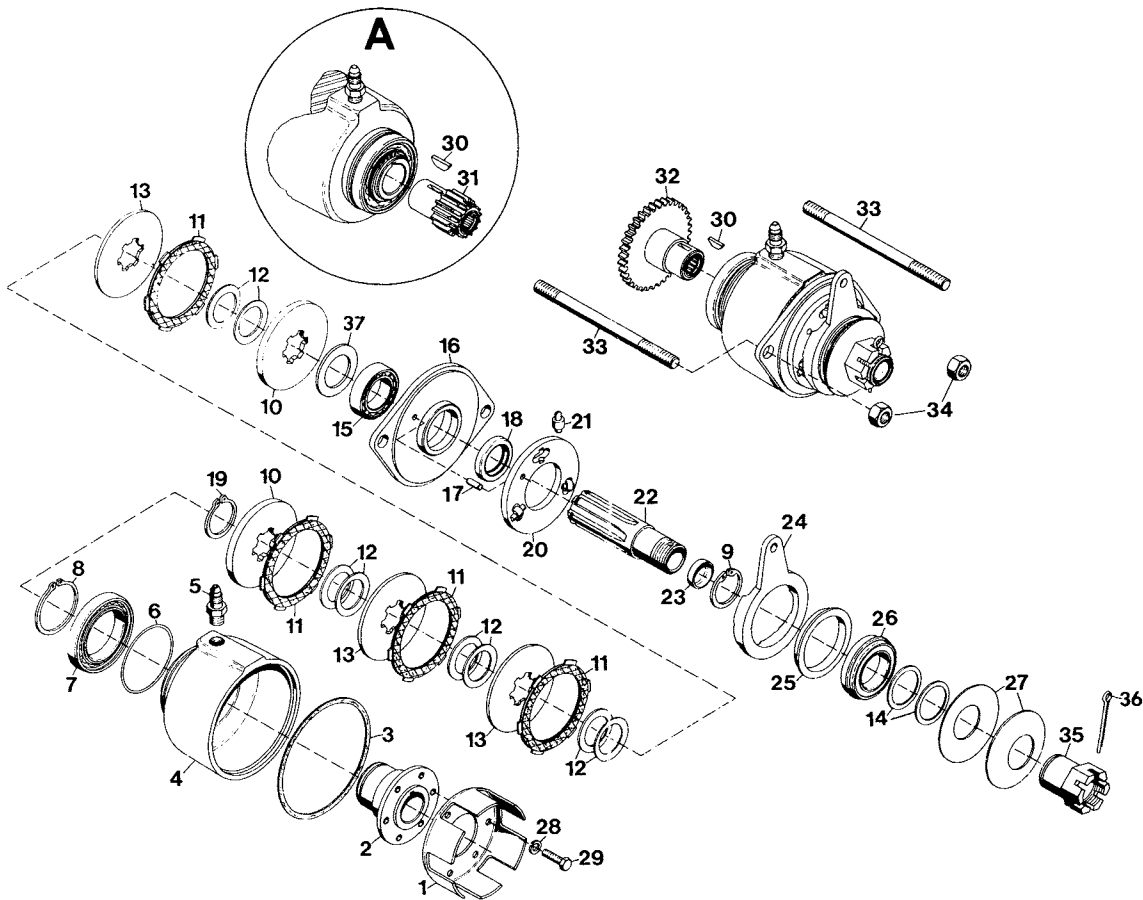
| ITEM NO. | PART NO. | QTY. | DESCRIPTION                                   |
|----------|----------|------|---|
| 1        | 21621    | 1    | Plate, PTO Clutch                             |
| 2        | 23370    | 3    | Roller, Clutch                                |
| 3        | 18042    | 1    | Bearing, Ball; 1.574 x 3.149 x .708           |
| 4        | 19063    | 1    | Cam, Clutch                                   |
| 5        | 21582    | 1    | Ring, Retaining; 1.375 Shaft Heavy            |
| 6        | 23522    | 1    | Adapter, PTO Clutch Cam                       |
| 7        | 24999    | 1    | Race Thrust 1.377 x 2.052 x .060              |
| 8        | 21587    | 2    | Spring, Belleville                            |
| 9        | 23521    | 1    | Hub, PTO Clutch Disc                          |
| 10       | 21594    | 1    | Clutch Pressure Plate                         |
| 11       | 21597    | 6    | Separator Spring (Belleville)                 |
| 12       | 23518    | 3    | Friction Disk                                 |
| 13       | 23520    | 3    | Disc, Clutch                                  |
| 14       | 15137    | 1    | Seal, Oil; .750 x 1.254 x .188                |
| 15       | 17949    | 2    | Bearing, Needle; 3/4 x 1 x 1/2                |
| 16       | 21525    | 1    | Clutch Hub                                    |
| 17       | 21517    | 1    | Cup, Driven                                   |
| 18       | 120214   | 6    | Washer, Lock; 5/16 SP                         |
| 19       | 180073   | 6    | Bolt, Hex; 5/16-18 x 1/2                      |
| 20       | 18043    | 1    | Ring, Retaining; 1.562 Shaft                  |
| 21       | 23519    | 1    | Spacer, Clutch Disc                           |
| 22       | 124549   | 1    | Key, Woodruff; .187 x .750 Hard               |
| 23       | 21529    | 1    | Gear, Spur PTO; 10 DP 29 Teeth 1.125 Standard |
| 24       | 20474    | 1    | Bearing, Ball; 1.5748 x 3.1496 x .7087        |
| 25       | 20444    | 1    | Spring, Comp Type; 1.0 x .80 x 36 Lb/in       |
| 26       | 23527    | 1    | Ring, Retaining                               |
| 27       | 24323    | 1    | Seal, Clutch Oil                              |
| 28       | 21527    | 1    | Cap, Front PTO                                |
| 29       | 21528    | 1    | Gasket, Front PTO Cap                         |
| 30       | 124934   | 6    | Nut, Jam; 1/2-20                              |
| 31       | 21980    | 2    | Stud Front PTO Clutch                         |
| 32       | 21598    | 1    | Shim (.010) *as needed                        |
| 33       | 180075   | 2    | Bolt, Hex; 5/16-18 x 5/8                      |
| 34       | 23523    | 2    | Retaining, Ring                               |
| 35       | 23538    | 2    | Tube, Front; PTO                              |

## NUMBER TEN SHAFT AND P.T.O. DRIVE GEAR



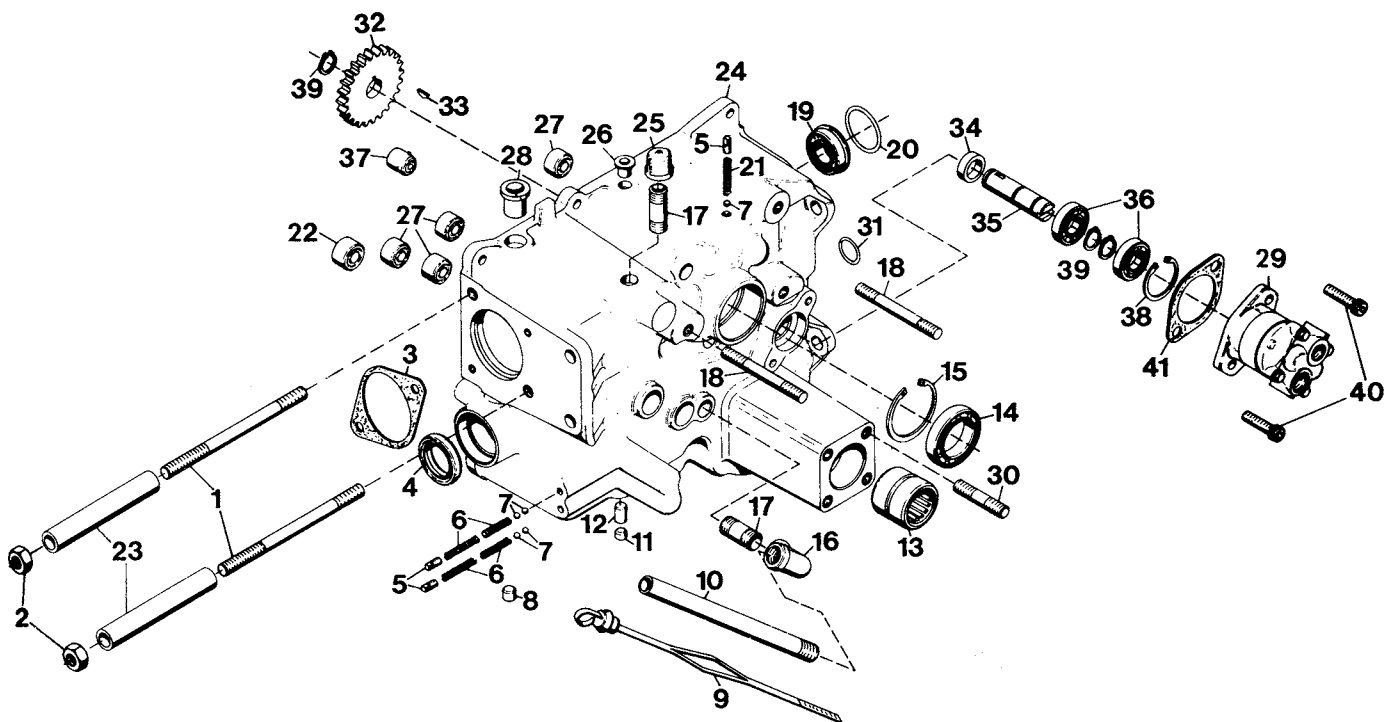
| ITEM NO. | PART NO. | QTY. | DESCRIPTION                                    |
|----------|----------|------|--|
| 1        | 19538    | 1    | Shaft, PTO                                     |
| 2        | 14640    | 1    | Assembly, Bearing; 1.000 x 1.980 x 1.243       |
| 3        | 21513    | 1    | Gear, Spur PTO; 10 DP 49 Teeth x .750 Standard |
| 4        | 17924    | 1    | Spacer; 1.060 x 1.250 x .450                   |
| 5        | 124589   | 1    | Nut, Hex; 5/8-11                               |
| 6        | 17923    | 1    | Seal, Oil; 1.375 x 2.129 x .312                |

# FORWARD AND REVERSE CLUTCH



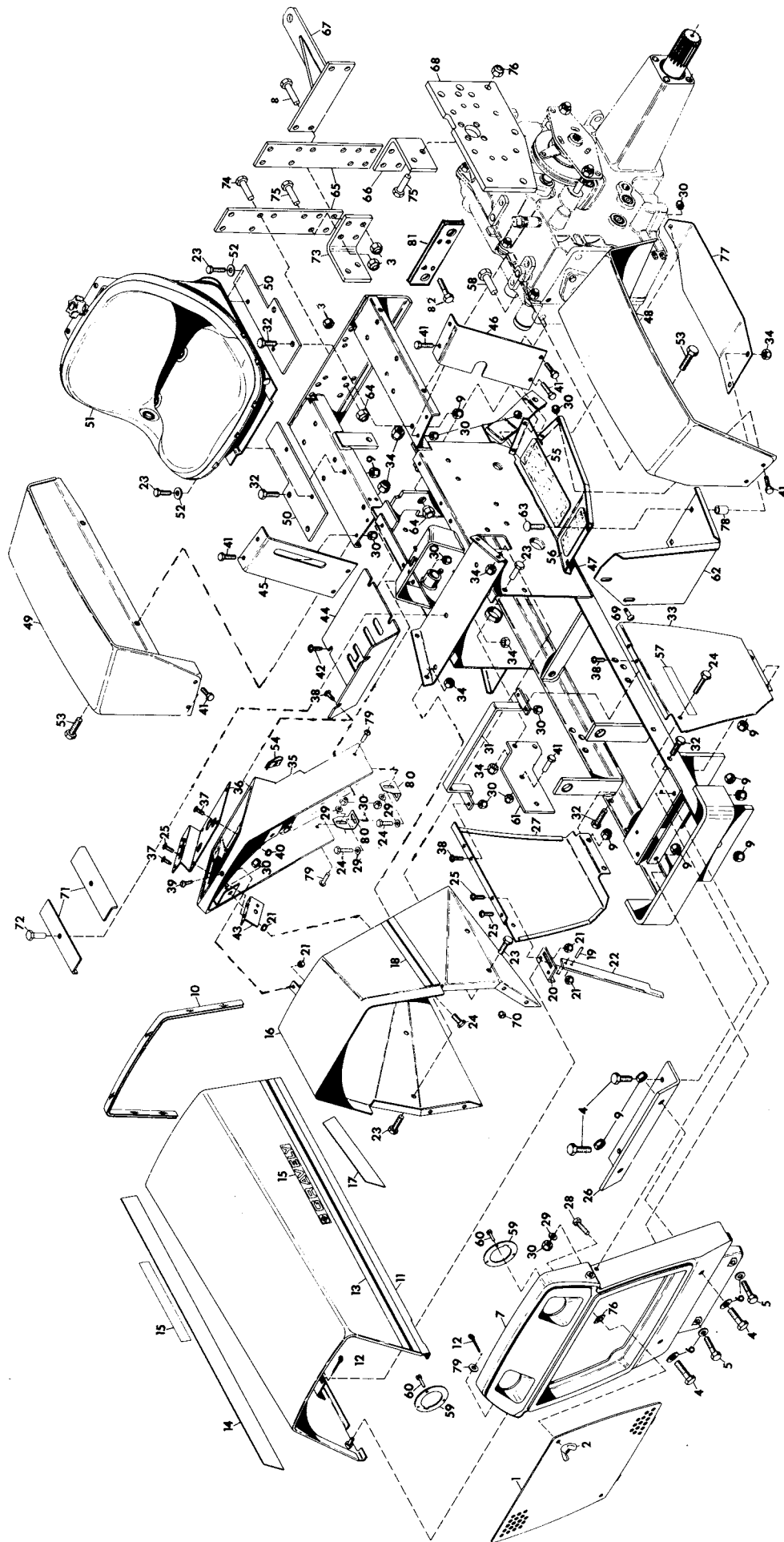
| ITEM NO. | PART NO. | QTY. | DESCRIPTION                           |
|----------|----------|------|---------------------------------------|
| 1        | 21517    | 1    | Cup, Driven                           |
| 2        | 21516    | 1    | Hub, Fwd-Rev Wet Clutch               |
| 3        | 21600    | 1    | Gasket, Clutch Cover                  |
| 4        | 21518    | 1    | Housing, Fwd-Rev Wet Clutch           |
| 5        | 21807    | 2    | Adapter, P/H 0103-6-6                 |
| 6        | 21574    | 1    | "O" Ring                              |
| 7        | 17915    | 1    | Bearing, Ball; 1.968 x 3.149 x .629   |
| 8        | 17919    | 1    | Ring, Retaining; 1.969 Shaft          |
| 9        | 21588    | 1    | Ring, Retaining; 1.375 Shaft Inverted |
| 10       | 21594    | 2    | Clutch, Pressure Plate                |
| 11       | 21595    | 4    | Clutch, Friction Disc                 |
| 12       | 21597    | 8    | Separator, Spring (Belleville)        |
| 13       | 23520    | 3    | Disc, Clutch                          |
| 14       | 24999    | 2    | Race Thrust 1.377 x 2.052 x .060      |
| 15       | 21584    | 1    | Bearing, Ball; 1.378 x 2.441 x .551   |
| 16       | 21591    | 1    | Cover, Clutch Housing                 |
| 17       | 273709   | 1    | Pin, Spring; .250 x .625              |
| 18       | 21592    | 1    | Seal, Oil; 1.375 x 2.004 x .313       |
| 19       | 21582    | 1    | Ring, Retaining; 1.375 Shaft Heavy    |
| 20       | 21593    | 1    | Clutch Plate, Fwd-Rev                 |
| 21       | 23370    | 3    | Roller, Clutch                        |
| 22       | 24837    | 1    | Hub, Wet Clutch Disc                  |
| 23       | 421750   | 1    | Cup, Plug Plain                       |
| 24       | 22123    | 1    | Cam, Clutch                           |
| 25       | 21585    | 1    | Adapter, Clutch Cam                   |
| 26       | 23207    | 1    | Bearing, Ball; 1.378 x 2.441 x .551   |
| 27       | 21587    | 2    | Spring, Belleville                    |
| 28       | 120214   | 6    | Washer, Lock; 5/16 SP                 |
| 29       | 180073   | 6    | Bolt, Hex; 5/16-18 x 1/2              |
| 30       | 431787   | 1    | Key, Woodruff; .188 x .625 Hard       |
| 31       | 21560    | 1    | Gear and Bearing Assembly             |
| 32       | 17947    | 1    | Assembly, Reverse Gear and Bearing    |
| 33       | 18036    | 2    | Stud, Clutch                          |
| 32       | 17947    | 1    | Assembly, Reverse Gear and Bearing    |
| 33       | 18036    | 2    | Stud, Clutch                          |
| 34       | 124934   | 2    | Nut, Jam 1/2 - ZO                     |
| 35       | 24838    | 1    | Bushing, Adjust                       |
| 36       | 103422   | 1    | Pin, Cotter; .250 x 2.000             |
| 37       | 23535    | 1    | Race, Thrust Torr. TRA-2233           |

# TRANSMISSION CASE



| ITEM NO. | PART NO. | QTY. | DESCRIPTION                            |
|----------|----------|------|--|
| 1        | 21908    | 2    | Stud, Front PTO Clutch                 |
| 2        | 124934   | 2    | Nut, Jam; 1/2-20                       |
| 3        | 21528    | 1    | Gasket, Front PTO Cap                  |
| 4        | 17923    | 1    | Seal, Oil; 1.375 x 2.129 x .312        |
| 5        | 103877   | 3    | Plug, Pipe; 1/2 in. Sq Hd Steel        |
| 6        | 17936    | 4    | Spring, Comp; 1.50 x .30 x 26 Lb/in    |
| 7        | 274301   | 5    | Ball, Steel; 5/16                      |
| 8        | 17946    | 1    | Plug                                   |
| 9        | 21575    | 1    | Dipstick Assembly                      |
| 10       | 21601    | 1    | Tube, Dipstick                         |
| 11       | 421743   | 1    | Plug, Cup; 3/8                         |
| 12       | 18200    | 1    | Pin, Interlock                         |
| 13       | 21603    | 1    | Bearing, Roller; 1.501 x 2.062 x 1.250 |
| 14       | 17915    | 1    | Bearing, Ball; 1.968 x 3.149 x .629    |
| 15       | 18872    | 1    | Ring, Retaining; 3.156 Bore            |
| 16       | 119098   | 1    | Elbow, Pipe; 1/2-90 Deg.               |
| 17       | 121664   | 1    | Nipple, Pipe; 1/2 x 2-1/2              |
| 18       | 18036    | 2    | Stud, Clutch                           |
| 19       | 23272    | 1    | Bearing, Ball                          |
| 20       | 24300    | 1    | O Ring 2.25 x 2.00 x .125              |
| 21       | 24772    | 1    | Spring                                 |
| 22       | 17912    | 1    | Bearing, Needle; 1.000 x 1.250 x .750  |
| 23       | 23538    | 2    | Tube, Front P.T.O.                     |
| 24       | 21510    | 1    | Case, Transmission                     |
| 25       | 19472    | 1    | Cap, Pipe; 1/2 NPT                     |
| 26       | 17925    | 1    | Bushing, 2-Speed                       |
| 27       | 22446    | 4    | Bearing, Roller; .750 x 1.000 x .750   |
| 28       | 17943    | 1    | Bushing; .756 x 1.125 x .75            |
| 29       | 21563    | 1    | Pump, Hydraulic                        |
| 30       | 11187    | 4    | Stud, Axle                             |
| 31       | 22438    | 1    | O-Ring; .549 x .755 x .103             |
| 32       | 23374    | 1    | Gear, Hydraulic Pump                   |
| 33       | 271089   | 1    | Key, Woodruff; .125 x .375 Hard        |
| 34       | 23373    | 1    | Spacer, Hydraulic MTD                  |
| 35       | 21512    | 1    | Shaft, Hydraulic Pump                  |
| 36       | 23372    | 2    | Bearing, Ball                          |
| 37       | 17914    | 1    | Bearing, Needle 5/8 x 1 3/16 x 3/4     |
| 38       | 18799    | 1    | Ring, Retaining; 1.378 Bore            |
| 39       | 20289    | 1    | Ring, Retaining; .669 Shaft            |
| 40       | 426370   | 2    | Screw, Cap; 3/8-16 Hex Socket HD       |
| 41       | 18422    | 1    | Gasket, Cover Plate                    |
| 42       | 21563    | 1    | Pump, Hydraulic                        |

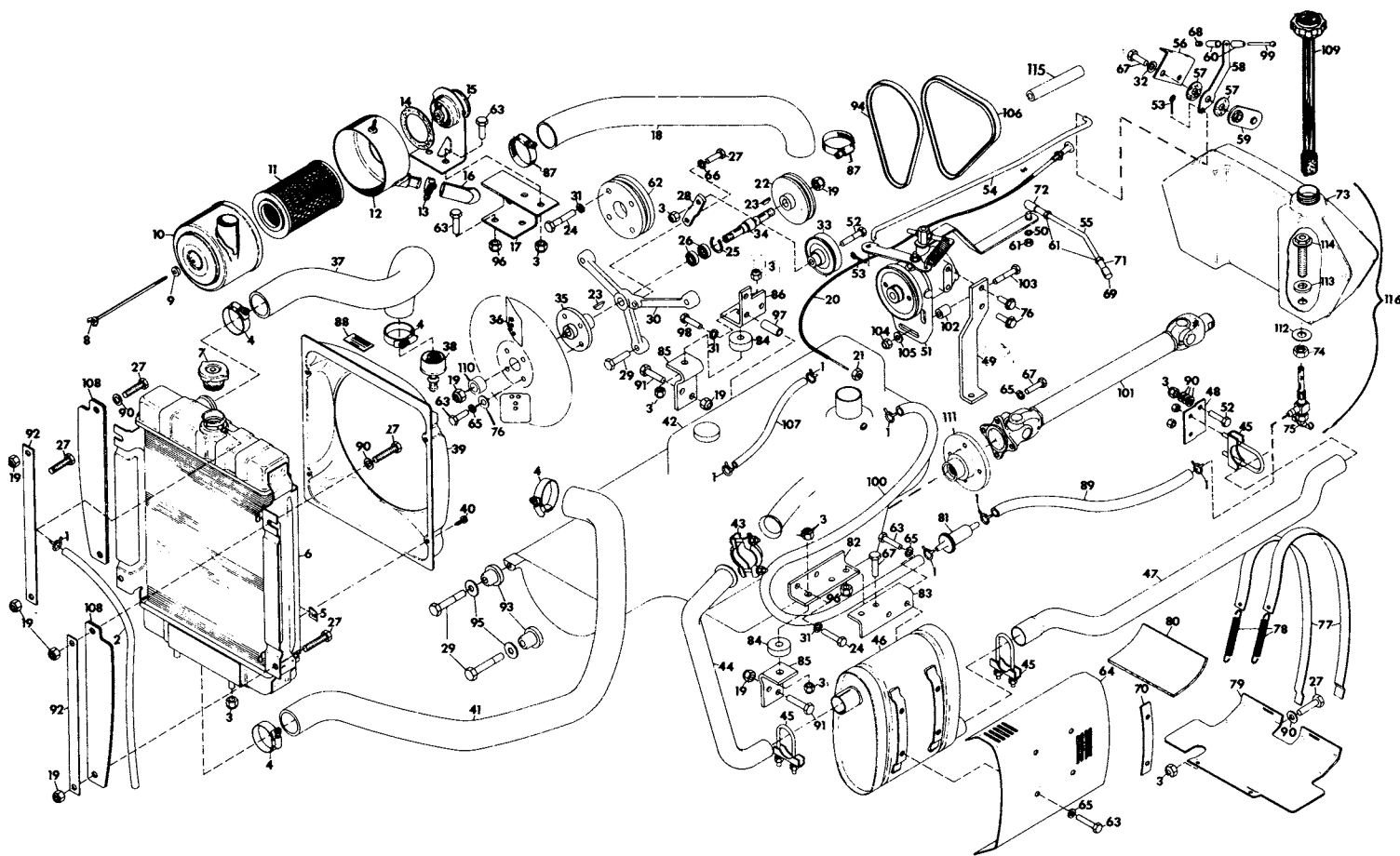
# TRACTOR FRAME



| ITEM NO. | PART NO. | QTY. | DESCRIPTION   |
|----------|----------|------|---|
| 1        | 23526    | 1    | Weldment, Asm. GMT Grill Screen                         |
| 2        | 126177   | 2    | Nut, Wing; 1/4-20                                       |
| 3        | 435507   | 20   | Nut, Lock; 1/2-13 Washer Insert                         |
| 4        | 180124   | 2    | Bolt, Hex; 3/8-16 x 1-1/4                               |
| 5        | 180126   | 2    | Bolt, Hex; 3/8-16 x 1-1/2                               |
| 6        | 120394   | 4    | Washer, Flat; .406 x .812 x .065                        |
| 7        | 21861    | 1    | Casting, Front Grille                                   |
| 8        | 180183   | 4    | Bolt, Hex; 1/2-13 x 2-1/4                               |
| 9        | 456004   | 14   | Nut, Lock; 3/8-16 Washer Insert Hex                     |
| 10       | 23156    | 1    | Strip, Cowl   |
| 11       | 21887    | 1    | Weldment, Hood  |
| 12       | 121222   | 1    | Pin, Cotter; .09 x .75                                  |
| 13       | 21988    | 1    | Decal, GMT Hood (L. H.)                                 |
| 14       | 21989    | 1    | Decal, GMT Hood (R. H.)                                 |
| 15       | 23025    | 2    | Decal, Gravely  |
| 16       | 21997    | 1    | Weldment, Instrument Panel Cowl                         |
| 17       | 21991    | 1    | Decal, GMT Cowl (R. H.)                                 |
| 18       | 21990    | 1    | Decal, GMT Cowl (L. H.)                                 |
| 19       | 455160   | 1    | Pin, Spring; .188 x .500                                |
| 20       | 21893    | 1    | Bracket, Hood Support                                   |
| 21       | 190254   | 3    | Nut, Lock; 10-24 Washer Insert                          |
| 22       | 21892    | 1    | Support, Hood   |
| 23       | 180075   | 4    | Bolt, Hex; 5/16-18 x 5/8                                |
| 24       | 180020   | 8    | Bolt, Hex; 1/4-20 x 3/4                                 |
| 25       | 159920   | 2    | Screw, Machine; 10-24 x 1/2 Pan HD C-Recess             |
| 26       | 22407    | 1    | Bracket, Grille, Support                                |
| 27       | 21862    | 1    | Cover, R. H. Side                                       |
| 28       | 120392   | 1    | Washer, Flat; .500 x 1.062 x .095                       |
| 29       | 422845   | 4    | Washer, Flat; .281 x .625 x .065                        |
| 30       | 419454   | 20   | Nut, Lock; 1/4-20 Washer Insert Hex                     |
| 31       | 21884    | 1    | Weldment, Side Panel Support                            |
| 32       | 180122   | 8    | Bolt, Hex; 3/8-16 x 1                                   |
| 33       | 21863    | 1    | Cover, L. H. Side                                       |
| 34       | 419455   | 20   | Nut, Lock; 5/16-18 Washer Insert Hex                    |
| 35       | 24816    | 1    | Panel, Instrument G.M.T.                                |
| 36       | 21847    | 1    | Plate, Instrument Panel                                 |
| 37       | 159658   | 6    | Screw, Machine; 8-32 x 3/4 Pan HD C-Recess              |
| 38       | 160536   | 6    | Screw, Machine; 1/4-20 x 5/8 Pan HD                     |
| 39       | 120621   | 1    | Screw, Machine; 10-24 x 1 FLT HD                        |
| 40       | 454748   | 6    | Nut, Lock; 8-32 Washer Insert                           |
| 41       | 180018   | 16   | Bolt, Hex; 1/4-20 x .625                                |
| 42       | 167257   | 6    | Screw, Tap; 1/4-20 x 1/2 Pan HD C-Recess                |
| 43       | 21851    | 1    | Bracket, Throttle Mounting                              |
| 44       | 21868    | 1    | Plate, Control Cover                                    |
| 45       | 21839    | 1    | Insert, Rear Fender (R. H.)                             |
| 46       | 21840    | 1    | Insert, Rear Fender (L. H.)                             |
| 47       | 21623    | 1    | Weldment, Main Frame                                    |
| 48       | 21836    | 1    | Weldment, L. H. Fender                                  |
| 49       | 21832    | 1    | Weldment, R. H. Fender                                  |
| 50       | 21894    | 2    | Plate, Seat Mounting                                    |
| 51       | 21984    | 1    | Suspension Seat Asm. w/Seat Belt Brackets (see page 20) |
| 52       | 120393   | 4    | Washer, Flat; .344 x .688 x .065                        |
| 53       | 180081   | 4    | Bolt, Hex; 5/16-18 x 1.25                               |
| 54       | 24302    | 2    | Fastener  |
| 55       | 15295    | 1    | Cover, Small Footboard                                  |
| 56       | 11653    | 2    | Cover, Large Footboard                                  |
| 57       | 24762    | 2    | Decal, GMT 9000   |
| 58       | 181700   | 4    | Bolt, Hex; 1/2-20 x 1-1/2                               |
| 59       | 1865     | 2    | Plate, Sealbeam Mounting                                |
| 60       | 23260    | 6    | Screw, Self-Tapping; 6-20 x .75                         |
| 61       | 21711    | 1    | Bracket, Voltage Regulator                              |
| 62       | 22004    | 1    | Plate, GMT Muffler Shield                               |
| 63       | 126373   | 2    | Bolt; 5/16-18 x 1-1/2 RD HD SQ NK                       |
| 64       | 11058    | 4    | Nut, (Rim)  |
| 65       | 21701    | 2    | Plate, Rear Frame                                       |
| 66       | 21705    | 1    | Bracket, Rear Frame (L. H.)                             |
| 67       | 21707    | 1    | Weldment, Rear Hitch                                    |
| 68       | 21605    | 1    | Plate, Axle Housing (L. H.)                             |
| 69       | 160046   | 4    | Screw Mach 1 1-32 x 1/2 Pan HD                          |
| 70       | 120611   | 4    | Nut, Machine; 10-32 Sq.                                 |
| 71       | 22171    | 2    | Bracket, Battery Mounting                               |
| 72       | 180079   | 4    | Bolt, Hex; 5/16-18 x 1                                  |
| 73       | 21704    | 1    | Bracket, Rear Frame (R. H.)                             |
| 74       | 180177   | 8    | Bolt, Hex; 1/2-13 x 1-1/2                               |
| 75       | 180179   | 4    | Bolt, Hex; 1/2-13 x 1-3/4                               |
| 76       | 23534    | 2    | Fastener  |
| 77       | 23502    | 1    | Shield, GMT Heat  |
| 78       | 21076    | 2    | Bushing; .391 x .622 x .670                             |
| 79       | 160556   | 2    | Screw Mach 1/4x20 x 1 Pan HD                            |
| 80       | 24664    | 2    | Bracket, Instrument Panel                               |
| 81       | 31151    | 1    | Plate, Support  |
| 82       | 108181   | 4    | Bolt Hex 1/2-13 x 2                                     |



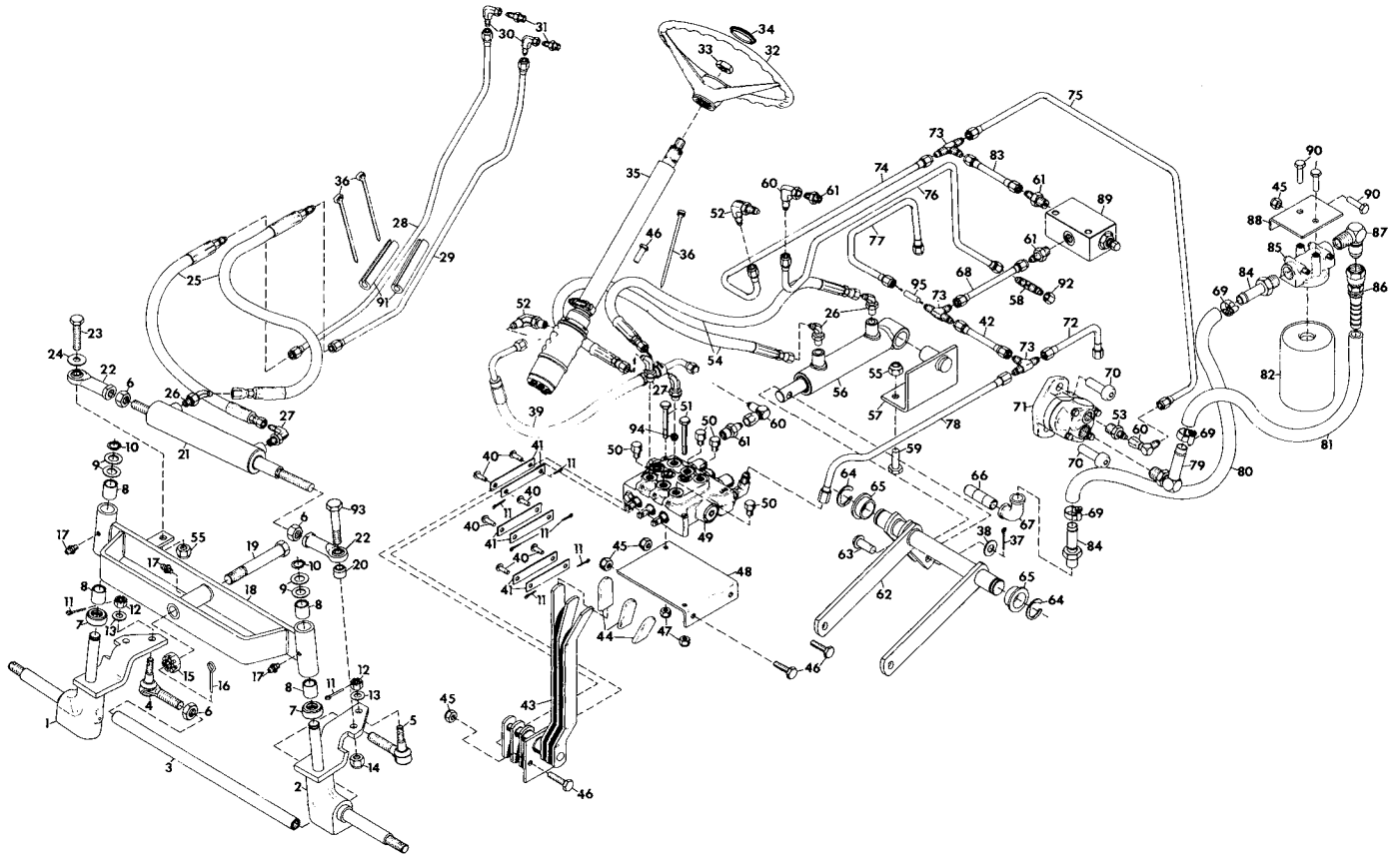
# FUEL SYSTEM, COOLING SYSTEM AND EXHAUST SYSTEM



| ITEM NO. | PART NO. | QTY. | DESCRIPTION                            |
|----------|----------|------|--|
| 1        | 7216     | 7    | Clamp, Fuel Hose                       |
| 2        | 23202    | 1    | Hose, Overflow                         |
| 3        | 456004   | 11   | Nut, Lock; 3/8-16 Washer Insert Hex    |
| 4        | 21245    | 6    | Clamp, 2.25 Dia. Hose                  |
| 5        | 24302    | 4    | Fastener                               |
| 6        | 21696    | 1    | Radiator Assembly                      |
| 7        | 21697    | 1    | Cap, Radiator                          |
| 8        | 21330    | 1    | Bolt, Special Air Cleaner              |
| 9        | 10905    | 1    | Washer, Sealing                        |
| 10       | 21331    | 1    | Housing, Upper                         |
| 11       | 21333    | 1    | Filter, Element                        |
| 12       | 21332    | 1    | Housing, Lower                         |
| 13       | 21334    | 1    | Clamp, Air Cleaner                     |
| 14       | 21336    | 1    | Gasket, Air Cleaner                    |
| 15       | 21337    | 1    | Bracket, Air Cleaner                   |
| 16       | 21335    | 1    | Unloader, Dust                         |
| 17       | 21859    | 1    | Bracket, Magnetic Switch               |
| 18       | 21867    | 1    | Hose, Air Cleaner                      |
| 19       | 435507   | 10   | Nut, Lock; 1/2-13 Washer Insert        |
| 20       | 21843    | 1    | Choke Control                          |
| 21       | 416107   | 1    | Nut, Lock; 3/8-16 Type CL Hex          |
| 22       | 21689    | 1    | Sheave, Radiator Fan                   |
| 23       | 124543   | 2    | Key, Woodruff; 1/8 x 1/2 Hard No. 3    |
| 24       | 21913    | 6    | Bolt, Hex; M8 x 1.25 25 mm 11500817    |
| 25       | 21688    | 1    | Ring, Retaining; 1.562 Bore            |
| 26       | 21687    | 2    | Bearing, Ball; .669 x 1.574 x .472     |
| 27       | 180122   | 7    | Bolt, Hex; 3/8-16 x 1                  |
| 28       | 21693    | 1    | Arm, Idler Pulley                      |
| 29       | 21911    | 4    | Bolt, Hex; M10 x 1.5 60mm 11500833     |
| 30       | 21685    | 1    | Casting, Fan Mounting                  |
| 31       | 21909    | 8    | Washer, Lock; 8mm Med. Spring 11500206 |
| 32       | 21856    | 1    | Spring, Throttle Assy.                 |
| 33       | 21694    | 1    | Idler Pulley                           |
| 34       | 21686    | 1    | Shaft, Radiator Fan                    |
| 35       | 24309    | 1    | Hub, Radiator Fan                      |
| 36       | 21695    | 1    | Fan, Radiator (Supplied With Engine)   |
| 37       | 21698    | 1    | Hose, Radiator (Inlet)                 |
| 38       | 22368    | 1    | Thermostat                             |
| 39       | 23201    | 1    | Shroud, Fan                            |
| 40       | 23203    | 4    | Screw, Sheetmetal                      |

| <u>ITEM</u><br><u>NO.</u> | <u>PART NO.</u> | <u>QTY.</u> | <u>DESCRIPTION</u>                           |
|---------------------------|-----------------|-------------|--|
| 41                        | 21699           | 1           | Hose, Radiator (Outlet)                      |
| 42                        | 22008           | 1           | Engine Assembly with Rear PTO                |
| 43                        | 21895           | 1           | Clamp, Exhaust Pipe                          |
| 44                        | 21816           | 1           | Pipe, Exhaust                                |
| 45                        | 21819           | 3           | Clamp, Muffler U-Bolt                        |
| 46                        | 21815           | 1           | Muffler                                      |
| 47                        | 21817           | 1           | Tailpipe                                     |
| 48                        | 21818           | 1           | Bracket, Tailpipe                            |
| 49                        | 21877           | 1           | Bracket, Governor Mounting                   |
| 50                        | 120217          | 1           | Washer, Lock; No. 10 SP                      |
| 51                        | 21876           | 1           | Governor Assembly                            |
| 52                        | 180126          | 2           | Bolt, Hex; 3/8-16 x 1-1/2                    |
| 53                        | 423302          | 2           | Pin, Cotter; .078 x .627                     |
| 54                        | 21996           | 1           | Rod, Throttle                                |
| 55                        | 21882           | 1           | Rod, Throttle                                |
| 56                        | 21851           | 1           | Bracket, Throttle Mounting                   |
| 57                        | 21857           | 2           | Disk, Throttle Friction                      |
| 58                        | 21852           | 1           | Arm, Throttle                                |
| 59                        | 21853           | 1           | Throttle Back Plate Weldment                 |
| 60                        | 21986           | 2           | Knob, Throttle                               |
| 61                        | 453284          | 3           | Nut, Hex; 10-32                              |
| 62                        | 21691           | 1           | Sheave, Water Pump                           |
| 63                        | 180075          | 10          | Bolt, Hex; 5/16-18 x 5/8                     |
| 64                        | 22002           | 1           | Shield, GMT Muffler                          |
| 65                        | 120214          | 14          | Washer, Lock; 5/16 SP                        |
| 66                        | 120382          | 1           | Washer, Lock; 3/8 SP                         |
| 67                        | 180079          | 7           | Bolt, Hex; 5/16-18 X 1                       |
| 68                        | 120361          | 1           | Nut, Machine; 10-24 Hex                      |
| 69                        | 21883           | 1           | Rod Ends                                     |
| 70                        | 22003           | 2           | Bracket, Muffler Shield                      |
| 71                        | 23083           | 1           | Clip, Spring                                 |
| 72                        | 23087           | 1           | Housing, Ball Joint                          |
| 73                        | 22000           | 1           | Tank, Fuel                                   |
| 74                        | 124847          | 1           | Nut Jam 5/8-11 Hex                           |
| 75                        | 7354            | 1           | Valve and Strainer                           |
| 76                        | 120393          | 4           | Washer 5/16 Plain                            |
| 77                        | 23500           | 2           | Strap, GMT Tank                              |
| 78                        | 10681           | 2           | Spring, Extension; 2.50 x .62 x 5.8 Lb/in    |
| 79                        | 21820           | 1           | Gas Tank Support Weldment                    |
| 80                        | 23501           | 1           | Pad, Gas Tank                                |
| 81                        | 21829           | 1           | Filter, Fuel                                 |
| 82                        | 21681           | 1           | Bracket, Engine Mounting (L. H.)             |
| 83                        | 21814           | 1           | Bracket, Muffler                             |
| 84                        | 31293           | 2           | Mount, Center Motor                          |
| 85                        | 21676           | 2           | Bracket, Engine Mounting                     |
| 86                        | 21679           | 1           | Bracket, Engine Mounting (R. H.)             |
| 87                        | 23214           | 2           | Clamp, Hose                                  |
| 88                        | 21999           | 1           | Decal, Engine Fan Warning                    |
| 89                        | 21830           | 1           | Hose, Fuel (Tank to Fuel Filter)             |
| 90                        | 120394          | 7           | Washer, Flat; .406 x .812 x .065             |
| 91                        | 180177          | 4           | Bolt, Hex; 1/2-13 x 1-1/2                    |
| 92                        | 23532           | 2           | Strip, Clamp                                 |
| 93                        | 21683           | 2           | Mount, Front Motor                           |
| 94                        | 21692           | 1           | Belt, Radiator Fan                           |
| 95                        | 24995           | 2           | Washer, 2.00 x .45 x .08                     |
| 96                        | 419455          | 4           | Nut, Lock; 5/16-18 Washer Insert Hex         |
| 97                        | 21680           | 3           | Spacer, Engine Mounting Bracket              |
| 98                        | 21914           | 3           | Bolt, Hex; M8 x 1.25 30mm 11500818           |
| 99                        | 436737          | 1           | Screw, Machine; 10-24 x 1-1/4 Pan Hd slotted |
| 100                       | 21831           | 1           | Hose, Fuel (Pump to Carburetor)              |
| 101                       | 21764           | 1           | Prop Shaft Assy. (Engine to Transmission)    |
| 102                       | 23071           | 1           | Spacer, Governor Mounting                    |
| 103                       | 180050          | 1           | Bolt Hex 1/4-20 x 2-3/4                      |
| 104                       | 419454          | 1           | Nut, Lock; 1/4-20 Washer Insert              |
| 105                       | 416904          | 1           | Washer, Flat; 9/32 x 1 x .065                |
| 106                       | 21879           | 1           | Belt, V Alternator Governor                  |
| 107                       | 23070           | 1           | Hose, Fuel (Pump to Carburetor)              |
| 108                       | 23533           | 2           | Shield, Air                                  |
| 109                       | 22001           | 1           | Cap, Gas Gauge                               |
| 110                       | 24308           | 1           | Spacer, Engine Fan                           |
| 111                       | 22011           | 1           | Hub, Prop Shaft Adaptor                      |
| 112                       | 446239          | 1           | Washer Flat 5/8 x 1-3/8 x .109               |
| 113                       | 24313           | 1           | Washer, Fuel Tank                            |
| 114                       | 24314           | 1           | Weldment, Fuel Tank Fitting                  |
| 115                       | 24998           | 1           | Cover Choke Control                          |
| 116                       | 21823           | 1           | Fuel, Tank Assembly                          |

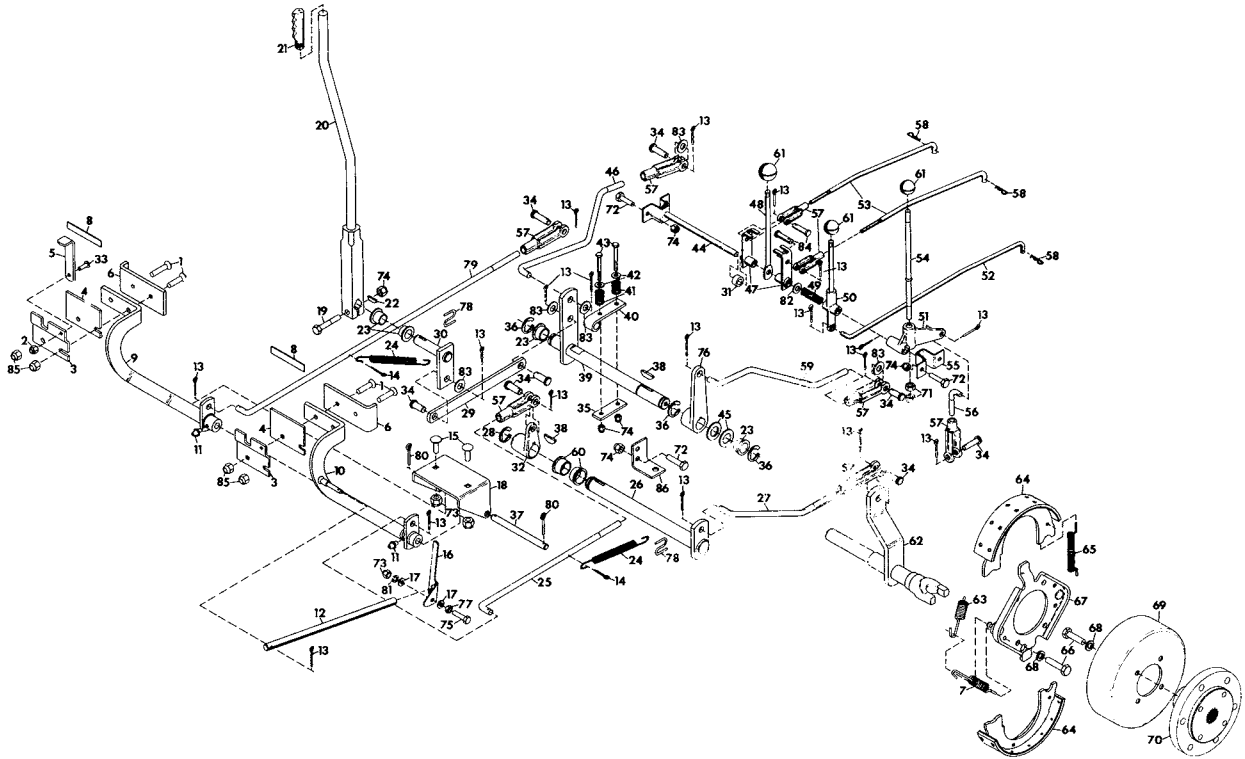
# HYDRAULIC SYSTEM AND STEERING SYSTEM



| ITEM NO. | PART NO. | QTY. | DESCRIPTION                         |
|----------|----------|------|-------------------------------------|
| 1        | 21658    | 1    | Weldment, R. H. Kingpin             |
| 2        | 21663    | 1    | Weldment, L. H. Kingpin             |
| 3        | 21667    | 1    | Rod, Tie                            |
| 4        | 21668    | 1    | Assembly, Rod End R. H.             |
| 5        | 21669    | 1    | Assembly, Rod End L. H.             |
| 6        | 124934   | 1    | Nut, Jam; 1/2-20                    |
| 7        | 21670    | 2    | Bearing, Ball; 1.005 x 1.969 x .625 |
| 8        | 21657    | 4    | Bushing, Oilite; 1.00 x 1.25 x 1.00 |
| 9        | 19340    | 4    | Race, Bearing; 1.002 x 1.552 x .030 |
| 10       | 17980    | 2    | Ring, Retaining; 1.000 Shaft        |
| 11       | 121222   | 8    | Pin, Cotter; .09 x .75              |
| 12       | 125233   | 2    | Nut, Hex Slotted; 3/8-24            |
| 13       | 120388   | 2    | Washer, Flat; .438 x 1.000 x .038   |
| 14       | 190171   | 1    | Nut, Lock; 1/2-20 Washer Insert     |
| 15       | 273196   | 1    | Nut, Slotted; 1-12                  |
| 16       | 137228   | 1    | Pin, Cotter; .156 x 1.500           |
| 17       | 411027   | 3    | Fitting, Lube; 1/4-28               |

| <u>ITEM</u> | <u>PART NO.</u> | <u>QTY.</u> | <u>DESCRIPTION</u>                         |
|-------------|-----------------|-------------|--|
| 18          | 21651           | 1           | Weldment, Front Axle                       |
| 19          | 21671           | 1           | Axle, Pivot Pin                            |
| 20          | 23333           | 1           | Spacer, Power Steering Cyl                 |
| 21          | 21673           | 1           | Cylinder, Hyd. Steering                    |
| 22          | 21674           | 2           | Rod End, Alinabal PF8G                     |
| 23          | 180179          | 1           | Bolt, Hex; 1/2-13 Washer Insert            |
| 24          | 120389          | 1           | Washer, Flat; .500 x 1.250 x .083          |
| 25          | 21804           | 2           | Hose, Hydraulic (Hrd, Cyl. to Line)        |
| 26          | 18827           | 1           | Adapter (P-H #3503-4-4)                    |
| 27          | 18826           | 3           | Adapter (P-H #2503-4-4)                    |
| 28          | 21802           | 1           | Hyd. Line                                  |
| 29          | 21803           | 1           | Hyd. Line                                  |
| 30          | 21287           | 2           | Adapter (P-H #3903-4-4)                    |
| 31          | 21797           | 2           | Adapter (P-H 0503-6-4)                     |
| 32          | 23285           | 1           | Wheel, Steering                            |
| 33          | 23286           | 1           | Nut, Special                               |
| 34          | 23376           | 1           | Insert, Steering Wheel                     |
| 35          | 21796           | 1           | Power Steering Unit & Column Assy.         |
| 36          | 10629           | 5           | Tie, Cable                                 |
| 37          | 137185          | 1           | Pin, Cotter; .125 x 1.00                   |
| 38          | 417098          | 1           | Washer, Flat; .531 x 1.000 x .063          |
| 39          | 24828           | 1           | Hose, Hyd.                                 |
| 40          | 21794           | 6           | Pin, Clevis; .188 x .594                   |
| 41          | 21793           | 6           | Strap, Hyd. Valve Actuating                |
| 42          | 21811           | 1           | Line, Hydraulic; Tee to Relief Valve       |
| 43          | 21780           | 1           | Weldment, Hydraulic Lever Assembly         |
| 44          | 21985           | 3           | Grip, Hydraulic Control Arm                |
| 45          | 419455          | 5           | Nut, Lock; 5/16-18 Washer Insert Hex       |
| 46          | 180077          | 6           | Bolt, Hex; 5/16-18 x 3/4                   |
| 47          | 419454          | 2           | Nut, Lock; 1/4-20 Washer Insert            |
| 48          | 21713           | 1           | Bracket, Hyd. Valve Mounting               |
| 49          | 21715           | 1           | Valve, 3-Spool Hyd. Control                |
| 50          | 21716           | 4           | Plug P/H 05PO-4                            |
| 51          | 180044          | 2           | Bolt, Hex; 1/4-20 x 2                      |
| 52          | 18828           | 2           | Adapter (P-H #2503-6-6)                    |
| 53          | 23206           | 1           | Adapter                                    |
| 54          | 18845           | 2           | Hose, Hyd. 14.5 Lg.                        |
| 55          | 435507          | 3           | Nut, Lock; 1/2-13 Washer Insert            |
| 56          | 31284           | 1           | Cylinder, Hydraulic                        |
| 57          | 21774           | 1           | Weldment, Cylinder Anchor Bracket          |
| 58          | 22430           | 1           | Adapter, Tee                               |
| 59          | 180175          | 2           | Bolt, Hex; 1/2-13 x 1.25                   |
| 60          | 18818           | 1           | Adapter (P-H #3903-6-6)                    |
| 61          | 19167           | 4           | Adapter (P-H #0503-6-6)                    |
| 62          | 21769           | 1           | Weldment, Lift Cross Shaft                 |
| 63          | 21777           | 1           | Pin, Clevis; .500 x 2.00                   |
| 64          | 11112           | 2           | E-Ring; 1.000 Shaft Copper                 |
| 65          | 10174           | 2           | Bushing, Nylon; .760 x 1.000 x .600 Flange |
| 66          | 190723          | 1           | Nipple, Pipe; .75 x 2.50                   |
| 67          | 119099          | 1           | Elbow, 90 Degree Pipe                      |
| 68          | 21812           | 1           | Line, Hydraulic; Relief Valve to Tee       |
| 69          | 9630            | 3           | Clamp, Hose SAE Type F                     |
| 70          | 426370          | 2           | Screw, Cap; 3/8-16 Hex Socket HD           |
| 71          | 21563           | 1           | Pump, Hydraulic                            |
| 72          | 21808           | 1           | Line, Hydraulic; Tee to Rev. Clutch        |
| 73          | 21799           | 3           | Adapter, Tee                               |
| 74          | 21800           | 1           | Line, Hydraulic; Tee to Straight Unit      |
| 75          | 21798           | 1           | Line, Hydraulic; Pump to Tee               |
| 76          | 21805           | 1           | Line, Hydraulic; Straight Unit to Tee      |
| 77          | 22429           | 1           | Hydraulic Line (Tee to Fwd Clutch)         |
| 78          | 21806           | 1           | Line, Hydraulic; Hyd. Valve to Tee         |
| 79          | 23040           | 1           | Adapter, Hyd. Pump                         |
| 80          | 23037           | 1           | Hose, Suction; 17.5 x .750 ID              |
| 81          | 23036           | 1           | Hose, Suction; 11.3 x .625 ID              |
| 82          | 21567           | 1           | Element, Hydraulic Oil Filter              |
| 83          | 21813           | 1           | Line, Hydraulic; Tee to Tee, Short         |
| 84          | 23038           | 2           | Adapter                                    |
| 85          | 21566           | 1           | Body, Hydraulic Oil Filter                 |
| 86          | 23041           | 1           | Coupling, Hose                             |
| 87          | 23039           | 1           | Adapter Hydraulic, Oil Filter              |
| 88          | 23035           | 1           | Bracket, Oil Filter Mounting               |
| 89          | 21810           | 1           | Valve, Relief                              |
| 90          | 180079          | 3           | Bolt, Hex; 5/16-18 x 1                     |
| 91          | 23284           | 2           | Cover, Rubber Hydraulic Line               |
| 92          | 22431           | 1           | Nut, Cap                                   |
| 93          | 181709          | 1           | Bolt, Hex; 1/2-20 x 2.50                   |
| 94          | 23485           | 1           | Plate, Flow Restriction                    |
| 95          | 24642           | 1           | Pin, Flow Restrictor                       |

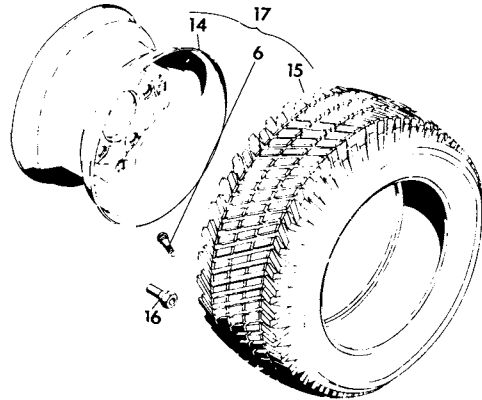
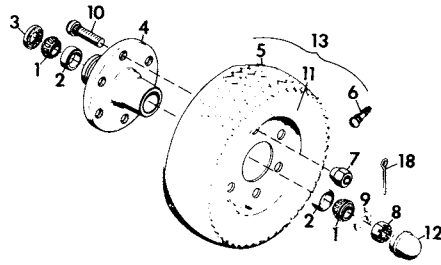
# TRANSMISSION CONTROLS AND BRAKES



| <u>ITEM NO.</u> | <u>PART NO.</u> | <u>QTY.</u> | <u>DESCRIPTION</u>             |
|-----------------|-----------------|-------------|--------------------------------|
| 1               | 133781          | 4           | Screw, Mach; 1/4-20 x 1-1/4    |
| 2               | 190254          | 1           | Nut, Lock; 10-24 Washer Insert |
| 3               | 21750           | 2           | Support, Brake Lock            |
| 4               | 21749           | 2           | Plate, Brake Lock Backing      |
| 5               | 21748           | 1           | Arm, Brake Lock                |
| 6               | 21747           | 2           | Pedal, Brake                   |
| 7               | 23181           | 2           | Spring, Shoe Return (Brown)    |
| 8               | 23195           | 2           | Decal, Brake                   |
| 9               | 21738           | 1           | Weldment, Brake Pedal (R. H.)  |
| 10              | 21742           | 1           | Weldment, Brake Pedal (L. H.)  |
| 11              | 411027          | 2           | Fitting, Lube; 1/4-28          |
| 12              | 22007           | 1           | Rod, Parking Brake             |
| 13              | 121222          | 18          | Pin, Cotter; .09 x .75         |
| 14              | 177923          | 2           | Pin, Cotter; .125 x .750       |
| 15              | 120915          | 2           | Bolt; 3/8-16 x 1 RD HD SQ NK   |

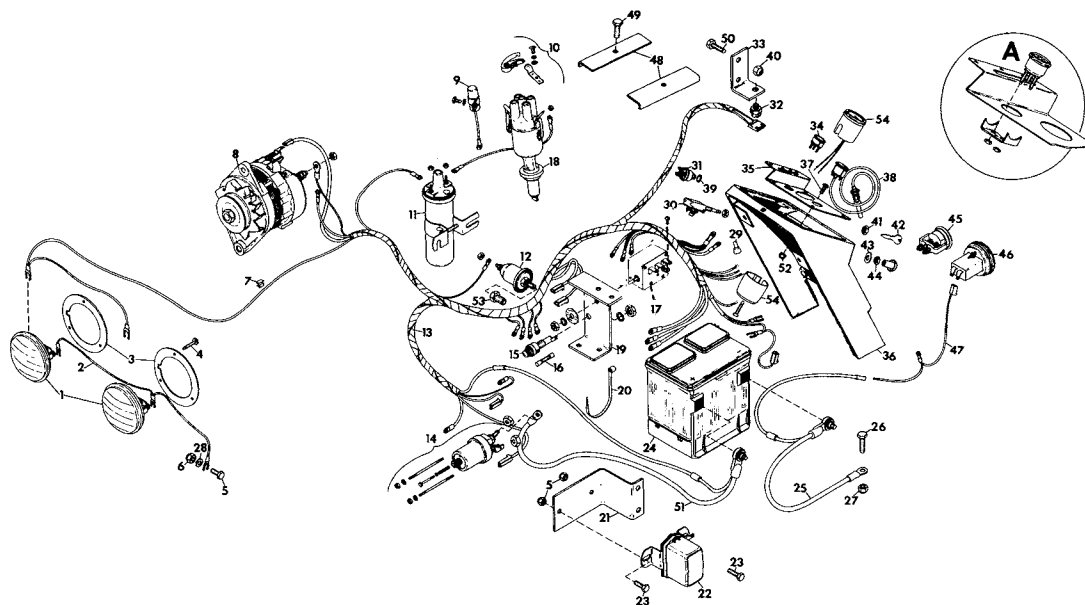
| <u>ITEM</u><br><u>NO.</u> | <u>PART NO.</u> | <u>QTY.</u> | <u>DESCRIPTION</u>                      |
|---------------------------|-----------------|-------------|---|
| 16                        | 20772           | 1           | Arm, Parking Brake Lock                 |
| 17                        | 20775           | 2           | Washer, Nylon                           |
| 18                        | 21737           | 1           | Bracket, Brake Pedal                    |
| 19                        | 180087          | 1           | Bolt, Hex; 5/16-18 X 2                  |
| 20                        | 21730           | 1           | Weldment, Fwd-Rev Lever                 |
| 21                        | 11078           | 1           | Grip, Hand Lever                        |
| 22                        | 124549          | 1           | Key, Woodruff; .187 x .750 Hard         |
| 23                        | 10174           | 4           | Bushing, Nylon; .760 x 1.000 x .600 Flg |
| 24                        | 11263           | 2           | Spring Ext Type 5-1/2 x .50 x 20 Rate   |
| 25                        | 21761           | 1           | Rod, Brake (R. H.)                      |
| 26                        | 21751           | 1           | Weldment, Brake Cross Shaft             |
| 27                        | 21762           | 1           | Rod, Brake (L. H.)                      |
| 28                        | 11112           | 1           | E-Ring; 1.000 Shaft Copper              |
| 29                        | 21733           | 1           | Link, Fwd-Rev Shifter                   |
| 30                        | 21727           | 1           | Weldment, Fwd-Rev Pivot Arm             |
| 31                        | 19260           | 1           | Bushing, Pivot Casting                  |
| 32                        | 21754           | 1           | Arm, Brake Cross-Shaft                  |
| 33                        | 159947          | 1           | Screw, Machine; 10-24 x 3/4             |
| 34                        | 138078          | 8           | Pin, Clevis; .395 x .948                |
| 35                        | 18464           | 1           | Plate, Clutch Detent                    |
| 36                        | 11270           | 3           | E-Ring; .750 Shaft                      |
| 37                        | 21746           | 1           | Shaft, Brake Pedal                      |
| 38                        | 124552          | 2           | Key, Woodruff; 3/16 x 1 Hard No. 13     |
| 39                        | 21721           | 1           | Weldment, Clutch Cross Shaft            |
| 40                        | 21725           | 1           | Weldment, Clutch Detent Bracket         |
| 41                        | 11779           | 2           | Spg. Comp Typ 1 x .78 x .338 LB/in      |
| 42                        | 120393          | 2           | Washer, Flat; .344 x .688 x .065        |
| 43                        | 180091          | 2           | Bolt, Hex; 5/16-18 x 2-1/2              |
| 44                        | 21717           | 1           | Cross Shaft Weldment                    |
| 45                        | 131017          | 2           | Washer, Flat; .812 x 1.469 x .134       |
| 46                        | 21734           | 1           | Rod, Fwd Clutch                         |
| 47                        | 18368           | 2           | Arm, Shifter Weldment                   |
| 48                        | 18371           | 1           | Lever, Shift                            |
| 49                        | 18372           | 1           | Spring Comp Typ 2-3/4 x .625 x 34 Rate  |
| 50                        | 18373           | 1           | Control, 2 Speed Asm.                   |
| 51                        | 22510           | 1           | Arm, P.T.O.                             |
| 52                        | 21719           | 1           | Rod, 2-Speed                            |
| 53                        | 21720           | 2           | Rod, Shifting                           |
| 54                        | 22509           | 1           | Lever, P.T.O.                           |
| 55                        | 11096           | 1           | Bracket, Cross Shaft                    |
| 56                        | 21736           | 1           | Rod, Fwd. PTO Clutch                    |
| 57                        | 18380           | 8           | Clevis, 3/8-24 Adjustable               |
| 58                        | 11860           | 3           | Cotter, Hair Pin                        |
| 59                        | 21735           | 1           | Rod, Rev Clutch                         |
| 60                        | 18355           | 2           | Bushing, Pivot                          |
| 61                        | 10670           | 3           | Knob, Control                           |
| 62                        | 21755           | 2           | Weldment, Brake Actuating               |
| 63                        | 23180           | 2           | Spring, Shoe Return (Red)               |
| 64                        | 23178           | 2           | Shoe, Brake                             |
| 65                        | 23179           | 1           | Spring, Shoe to Shoe (Green)            |
| 66                        | 180146          | 8           | Bolt, Hex; 7/16-14 x 1-1/8              |
| 67                        | 23177           | 2           | Assembly, Support Plate                 |
| 68                        | 131100          | 16          | Washer, Lock; 7/16 SP Heavy             |
| 69                        | 21873           | 2           | Drum, Brake                             |
| 70                        | 23483           | 2           | Hub, Wheel                              |
| 71                        | 272123          | 2           | Nut, Jam; 7/16-20 Hex                   |
| 72                        | 180077          | 6           | Bolt, Hex; 5/16-18 x 3/4                |
| 73                        | 456004          | 3           | Nut, Lock; 3/8-16 Washer Insert Hex     |
| 74                        | 419455          | 9           | Nut, Lock; 5/16-18 Washer Insert Hex    |
| 75                        | 180124          | 1           | Bolt, Hex; 3/8-16 x 1-1/4               |
| 76                        | 21724           | 1           | Arm, Rev. Clutch                        |
| 77                        | 124829          | 1           | Nut, Jam; 3/8-16 Hex                    |
| 78                        | 11329           | 2           | Clip, Spring                            |
| 79                        | 21763           | 1           | Rod, Brake; (R.H.)                      |
| 80                        | 137185          | 2           | Pin, Cotter; .125 x 1.00                |
| 81                        | 120382          | 1           | Washer, Lock; 3/8 SP                    |
| 82                        | 120396          | 1           | Washer, Flat; .500 x 1.062 x .095       |
| 83                        | 120394          | 3           | Washer, Flat; .406 x .812 x .065        |
| 84                        | 11718           | 2           | Pin, Clevis; 3/8 x 1.093                |
| 85                        | 419454          | 2           | Nut, Lock; 5/16-18 Washer Inst. Hex     |
| 86                        | 22455           | 1           | Bracket, Fwd-Rev Interlock Switch       |

## FRONT AND REAR WHEEL



| <u>ITEM NO.</u> | <u>PART NO.</u> | <u>QTY.</u> | <u>DESCRIPTION</u>                       |
|-----------------|-----------------|-------------|--|
| 1               | 14648           | 2           | Cone, Bearing                            |
| 2               | 14647           | 2           | Cup, Bearing                             |
| 3               | 23166           | 1           | Seal, Oil; 1.250 x 1.979 x .25           |
| 4               | 21871           | 1           | Hub Assembly w/Bearings & Seal           |
| 5               | 23164           | 2           | Tire, 20 x 8.00-10 (Soft-Trac)           |
|                 | 23171           | 2           | Tire, 4.00-12 (2-Rib Front Tractor)      |
| 6               | 23165           | 2           | Stem, Valve                              |
| 7               | 11058           | 6           | Nut, Rim                                 |
| 8               | 427640          | 2           | Nut, Slotted: 3/4-16 Hex Regular         |
| 9               | 421879          | 1           | Washer, Flat; 21/32 x 1-1/4 x .100       |
| 10              | 455025          | 6           | Bolt, Hex; 1/2-20 x 1.0                  |
| 11              | 23163           | 1           | Rim, 10.0 (Soft-Trac Front)              |
|                 | 23170           | 1           | Rim, 12.0 (2-Rib Front)                  |
| 12              | 23167           | 1           | Cap, Dust                                |
| 13              | 21870           | 2           | Assembly, 20 x 8.00-10 Wheel             |
|                 | 22404           | 2           | Assembly, 4.00-12 Wheel                  |
| 14              | 23168           | 2           | Rim, 15.0 (Wrangler XT)                  |
|                 | 23172           | 2           | Rim, 15.0 (Xtra Traction)                |
|                 | 23174           | 2           | Rim, 16.0 (Cleated)                      |
| 15              | 23173           | 2           | Tire, 20 x 12.00-15 (Xtra Traction Rear) |
|                 | 23169           | 2           | Tire, 31 x 15.50-15 (Wrangler XT, Rear)  |
|                 | 23175           | 2           | Tire, 9.5 x 16 (Cleated Tractor Rear)    |
| 16              | 21875           | 6           | Bolt, Hub; 1/2-20 x .718                 |
| 17              | 21869           | 2           | Assembly, w/29 x 12.00-15 Wheel          |
|                 | 22406           | 2           | Assembly, 31 x 15.50-15 Wheel            |
|                 | 22405           | 1           | Assembly, 9.5-16 Wheel (L.H.)            |
|                 | 23176           | 1           | Assembly, 9.5-16 Wheel (R.H.)            |
| 18              | 137204          | 2           | Pin, Cotter; .125 x 1.500                |

# ELECTRIC SYSTEM

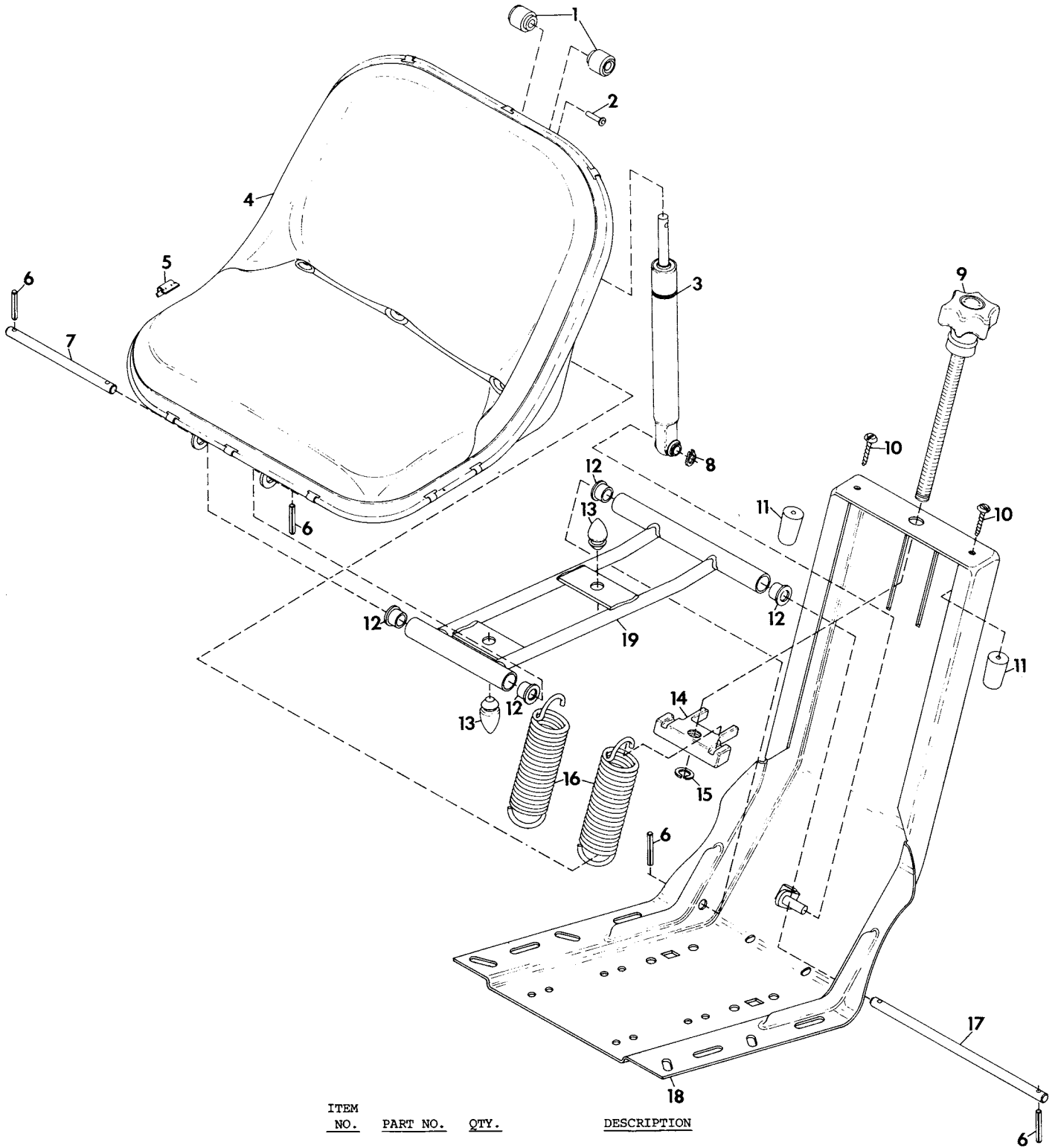


| ITEM NO. | PART NO. | QTY. | DESCRIPTION                         |
|----------|----------|------|-------------------------------------|
| 1        | 21864    | 2    | Headlamp, Sealbeam                  |
| 2        | 23217    | 1    | Wire, Headlight Ground              |
| 3        | 21865    | 2    | Plate, Sealbeam Mounting            |
| 4        | 23260    | 6    | Screw, Self-Tapping; 6-20 x .75     |
| 5        | 180020   | 1    | Bolt, Hex; 1/4-20 x 3/4             |
| 6        | 419454   | 1    | Nut, Lock; 1/4-20 Washer Insert     |
| 7        | 11286    | 2    | Clip, Wire                          |
| 8        | 22642    | 1    | Alternator                          |
| 9        | 23140    | 1    | Condenser                           |
| 10       | 23146    | 1    | Points, Ignition                    |
| 11       | 22365    | 1    | Coil, Ignition; 12 Volts            |
| 12       | 22442    | 1    | Unit, Pressure Sending              |
| 13       | 21858    | 1    | Harness, Wiring;                    |
| 14       | 22392    | 1    | Kit, Starter Solenoid               |
| 15       | 21416    | 1    | Fuse, Panel                         |
| 16       | 14893    | 1    | Fuse, 30 AMP Acc-30                 |
| 17       | 21860    | 1    | Switch, Magnetic Temp Gage          |
| 18       | 22380    | 1    | Distributor                         |
| 19       | 21859    | 1    | Bracket, Magnetic Switch            |
| 20       | 10629    | Req  | Tie, Cable                          |
| 21       | 21711    | 1    | Bracket, Voltage Regulator          |
| 22       | 21712    | 1    | Regulator, Voltage                  |
| 23       | 180018   | 2    | Bolt, Hex; 1/4-20 x .625            |
| 24       | 21765    | 1    | Battery, 12 V                       |
| 25       | 21768    | 1    | Cable, Ground                       |
| 26       | 180120   | 1    | Bolt, Hex; 3/8-16 x .750            |
| 27       | 456004   | 1    | Nut, Lock; 3/8-16 Washer Insert Hex |
| 28       | 422845   | 1    | Washer, Flat; .281 x .625 x .065    |
| 29       | 11763    | 3    | Nut, Wire                           |
| 30       | 11337    | 1    | Switch, Light                       |
| 31       | 18207    | 1    | Switch, Ignition                    |
| 32       | 20916    | 1    | Switch, Interlock                   |
| 33       | 22455    | 1    | Bracket, Fwd-Rev Interlock Switch   |
| 34       | 22441    | 1    | Gauge, Oil Pressure                 |
| 35       | 21847    | 1    | Plate, Instrument Panel             |
| 36       | 24816    | 1    | Panel, Instrument                   |
| 37       | 159658   | 6    | Screw, Mach; 8-32 x 3/4             |
| 38       | 21849    | 1    | Gauge, Water Temperature            |
| 39       | 18586    | 1    | Washer, Lock; 5/8 Int Tooth         |
| 40       | 419455   | 2    | Nut, Lock; 5/16-18 Washer Inst. Hex |
| 41       | 18585    | 1    | Nut, Jam; 5/8-32                    |
| 42       | 18570    | 1    | Key, Ignition Switch                |
| 43       | 120388   | 1    | Washer, Flat; .438 x 1.000 x .038   |
| 44       | 18587    | 1    | Nut, Special; Light Switch          |
| 45       | 21848    | 1    | Gauge, Ammeter                      |
| 46       | 21844    | 1    | Hour Meter & Mtg. Hardware          |
| 47       | 23216    | 1    | Wire, Hourmeter Ground              |
| 48       | 22171    | 2    | Bracket, Battery Mounting           |
| 49       | 180079   | 2    | Bolt, Hex; 5/16-18 x 1              |
| 50       | 180077   | 2    | Bolt, Hex; 5/16-18 x 3/4            |
| 51       | 21767    | 1    | Cable, Battery to Starter Solenoid  |
| 52       | 454748   | 6    | Nut, Lock; 8-32 Washer Insert       |
| 53       | 22443    | 1    | Fitting, Oil Pressure Gauge         |
| 54       | 23080    | 1    | Tachometer,                         |

NOTE: Circle A pertains to typical installation of gauges, Item numbers 34, 38 and 45.



# SEAT



| ITEM NO. | PART NO. | QTY. | DESCRIPTION              |
|----------|----------|------|--------------------------|
| 1        | 23098    | 2    | Roller, Guide            |
| 2        | 23113    | 1    | Rivet, Tubular           |
| 3        | 23112    | 1    | Absorber, Shock          |
| 4        | 23115    | 1    | Seat                     |
| 5        | 23114    | 10   | Clip, Molding            |
| 6        | 23111    | 4    | Pin, Roll                |
| 7        | 23101    | 1    | Pin, Pivot Short         |
| 8        | 23116    | 1    | E-Ring                   |
| 9        | 23110    | 1    | Knob, Tension Control    |
| 10       | 23106    | 2    | Screw                    |
| 11       | 23105    | 2    | Bumper, Rubber           |
| 12       | 23100    | 4    | Bushing, Pivot           |
| 13       | 23099    | 2    | Bumper, Rubber           |
| 14       | 23108    | 1    | Bracket, Spring Retainer |
| 15       | 23109    | 1    | E-Ring                   |
| 16       | 23107    | 2    | Spring                   |
| 17       | 23102    | 1    | Pin, Pivot Long          |
| 18       | 23104    | 1    | Pan, Seat                |
| 19       | 23103    | 1    | Frame, Pivot             |

# WIRING DIAGRAM

