



40" & 50" Rotary Mower

Owner/Operator Manual

Models

885005 - 40" Mower

885006 - 50" Mower

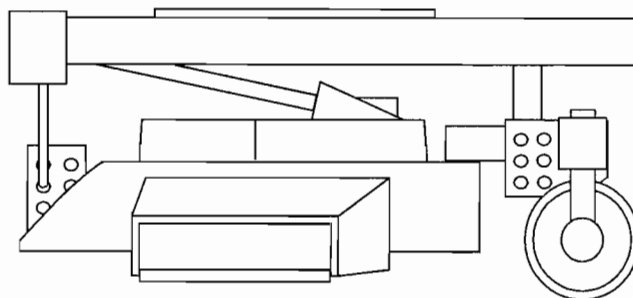


TABLE OF CONTENTS

MODELS

Model 885005
Mower, 40" Three Spindle
Serial No. 000367 and up

Model 885006
Mower, 50" Three Spindle
Serial No. 003998 and up

SECTION 1: OWNERS

Safety Precautions	2
Operation	4
Lubrication and Maintenance	5
Adjustment	7
Storage	8
Trouble Shooting	8
Specifications	9
Set-Up Instructions	10
Warranty	Inside Back Cover

SECTION 2: PARTS

40" Mower Deck Assembly	16
50" Mower Deck Assembly	18
40" & 50" Mower Drive	20

REFERENCE TABLE

NOTE: Hardware descriptions are given in decimals.

Decimals to Fractions	
.062	1/16
.125	1/8
.187	3/16
.250	1/4
.312	5/16
.375	3/8
.437	7/16
.500	1/2
.562	9/16
.625	5/8
.687	11/16
.750	3/4
.812	13/16
.875	7/8
.937	15/16

Safety Precautions

Improper use of this equipment can injure people and damage the equipment. People using or servicing this equipment must read and follow the instructions in this manual and the manuals provided with your power unit.

It is important to understand that this manual and any other Gravely instruction manuals do not cover every possible danger. It is impossible for Gravely to know all possible dangers in operating and servicing the equipment.

The purchaser must give these instructions to the people operating and maintaining this equipment. These people must use eye and foot protection.

Training

Read this manual and the power unit manual carefully.

Learn the location and function of all controls.

Learn how to use the controls to stop the wheels and mower quickly in an emergency.

Understand and follow each danger, warning, caution and instructional decal installed on this product.

Never permit children to operate the tractor. Do not allow adults to operate it without proper instruction.

Safe operation of this equipment requires your complete and unimpaired attention at all times. Do not operate unit after or during the consumption of drugs or alcohol.

Keep all people and animals away from the operating area.

Preparation

Use caution with gasoline. Gasoline is very flammable and its vapors are explosive. Keep it in a clean, tight and approved (Red) container. Never put gasoline in the fuel tank while the engine is running or hot. Clean up spilled gasoline before starting engine. Do not fill fuel tank indoors. Never allow smoking materials, sparks or flame (match, pilot light, etc.) near mower or fuel container. Replace fuel tank cap and fuel container cap securely.

Inspect area to be mowed and remove all material

which could be thrown by the mower such as stones, sticks, wires and other foreign objects.

Inspect area to be mowed and remove all material which could be thrown by mower.

When hauling the equipment, connect the chassis to the transporting vehicle. Never connect from control levers, rods, or like items that could be damaged.

Replace all parts that become damaged or lost.

Check the operation of the operator presence controls, on your power unit before operating the mower.

Before making adjustments or servicing, move the PTO to "OFF", turn the ignition switch to "OFF", remove key and wait until all moving parts completely stop. Do not make cutting height adjustment while engine is running.

Operation

Be certain that shield, guards and interlock switches are in good condition and in proper operating position.

Before starting the engine, put the PTO control lever in the "OFF" position and the gear shift lever in the neutral "N" position.

Wear foot and eye protection. Do not wear loose clothing that could get caught in rotating parts.

Do not use the equipment in the dark without adequate lighting.

Keep away from moving parts. Stay clear of the mower discharge chute and keep the deflector in the down position whenever the engine is running.

Keep people and animals away from the operating area. Never direct discharge of materials toward bystanders.

Do not let people other than the operator near the operating equipment. Never direct discharge of material towards bystanders. The operator is responsible for the safety of bystanders.

Do not operate the mower on gravel or on loose material such as sand. Stop mower when crossing gravel drives, walks or roads. Objects may be picked up and thrown by the mower blades causing damage or injury.

Safety Precautions (Continued)

Use a slow speed and engage the shift lever slowly when operating on slopes.

Look for and keep away from hazards, such as drop-offs. Stay alert for holes, rocks and other hidden hazards in the area of operation.

After hitting an object, disengage the PTO, turn off and remove the ignition key and wait for all motion to stop. Check for damage, Repair any damage before operating.

Look down and behind when operating in reverse. Look for people and hazards.

Operate only from the operator's position.

Slopes are a major factor related to accidents which can result in severe injury. All slopes require extra caution. If you feel uneasy on a slope with your walk behind tractor do not mow it. If you can not back up the slope with your ride-on tractor do not mow it.

Travel across slopes with the walk behind tractor. Travel up and down slopes with the ride-on tractor.

If there is a sudden change in the sound or vibration of the equipment, disengage the PTO, turn off and remove the ignition key, wait for all motion to stop and check for damage. Repair any damage or failure before restarting unit.

Never run the engine indoors except to move it outside. Exhaust fumes are dangerous.

Go slowly on slick surfaces. When operating the walk behind tractor always be sure of your footing, keep a firm grip on the handlebars and walk, never run.

Follow traffic laws when operating on or near a road.

Before leaving the operator's position for any reason,

put the PTO control in the "OFF" position and turn the ignition key to "OFF" and remove. Move the direction control to the forward position (walk-behind tractor). Lock the brake lock (ride-on tractor). Wait until all moving parts have stopped.

Do not touch parts which might be hot from operation. Before attempting to maintain, adjust or service allow such parts to cool.

Maintenance and Storage

Keep the equipment in good condition. Maintain it as directed in this manual. Check all hardware at regular intervals.

Use only Gravelly accessories, attachment and replacement parts.

Do not overspeed the engine. Do not override the governor.

Before making any repairs, adjustments, inspections or cleaning unit disengage the PTO, turn off and remove the ignition key and wait for all motion to stop.

To reduce fire hazard and overheating, keep equipment free of grass, leaves, debris or excessive lubricants.

Worn out mufflers can result in fire or explosion and should be replaced immediately.

Never store equipment with gasoline in tank inside a building where fumes may reach an open flame or spark. Allow engine to cool before storing in any enclosure.

Refer to Storage Section of owners manual if unit is to be stored for extended periods.

Operation

Read this manual and the Power Unit manual carefully before operating the equipment.

Transport the equipment to the area to be mowed.

Inspect the area to be mowed and remove all material which could be thrown by the mower.

Plan the pattern for cutting the grass. Generally an area is mowed around the periphery towards the center by discharging the grass toward the center on the first pass. The remainder of the mowing is done discharging the grass outward in the area which has been cut.

See Specification Section for the schedule of heights of cut. Set the mower for the height of cut desired.

See the tractor manual for correct operation of the PTO. Start the engine and put the PTO control in the "ON" position. Move the throttle control to the "FAST" position.

Select a slow gear. Engage the forward clutch. Control the ground speed by selecting the desired gear.

Lubrication and Maintenance

Lubrication

Apply Sten Mix Hi-Temp Grease or equivalent to the lube fittings. Order P/N: 00036800 - three pack of 3 oz. cartridges or 00036700 - ten pack of 14 oz. cartridges.

If using Sten Mix for the first time, all components should be thoroughly cleaned prior to lubricating. Apply grease on:

- Each spindle (3) - every 25 hours of operation.
- Each gauge wheel (2) - every 8 hours of operation.
- Drive shaft - every 8 hours of operation.
- Front mount - every 8 hours of operation.
 - quick hitch pin
 - each caster wheel (2)
 - each caster fork (2)

IMPORTANT: Grease the spindles until there is grease coming out of the grease relief fitting.

Gear Box: Once a year or every 200 hours of operation, check the lubricant by removing the cover. Clean the top of the gear box and carefully remove the cover. Replace the gasket if damaged. Keep the gear box 3/4 full of grease.

Blade Service

Every ten hours of operation or when the cut is poor visually, check the blades for sharpness.

Remove the mower from the tractor. See mower installation in Lubrication and Maintenance Section.

Turn the mower upside down.

Block the blades and remove the nuts and flat washers from the spindle.

Sharpen and balance the blade.

Reverse the removal process to install the blades on mower and the mower on the tractor.

Replace the blades when over 1/2" has been removed or the blade cannot be balanced.

Belt Replacement

Remove the mower from the tractor.

Remove the belt covers.

Loosen the spring tension on the belt.

Remove the gear housing support.

Remove the belt.

Put the new belt in position on the sheaves. See diagram 1.

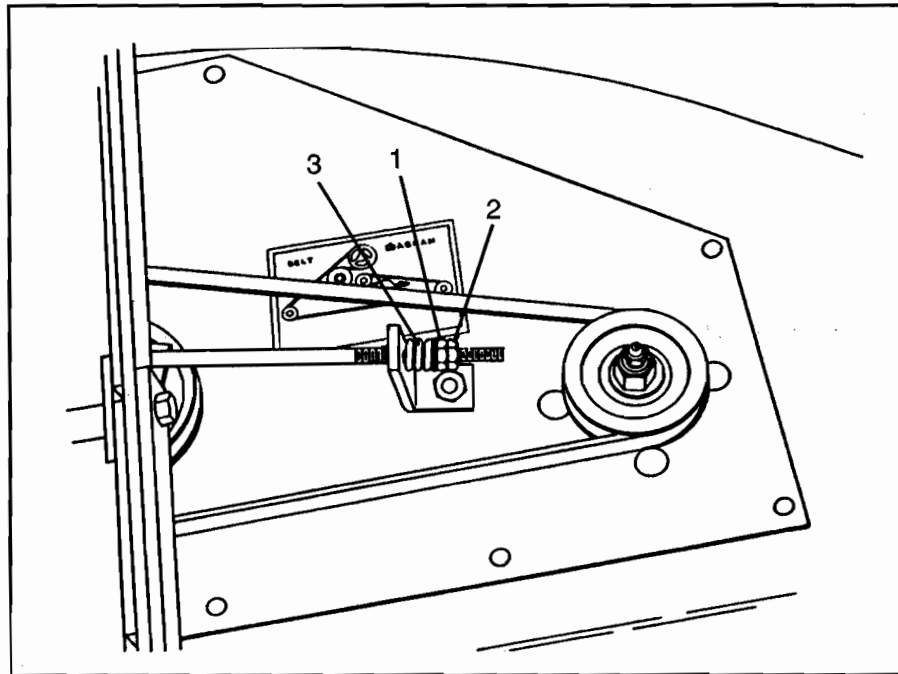
Mount the gear housing support.

Adjust the belt tension.

Install the belt covers.

Mount the mower on the tractor.

Lubrication and Maintenance (Continued)



1. Adjusting Nut
2. Jam Nut
3. Spring

Figure 1

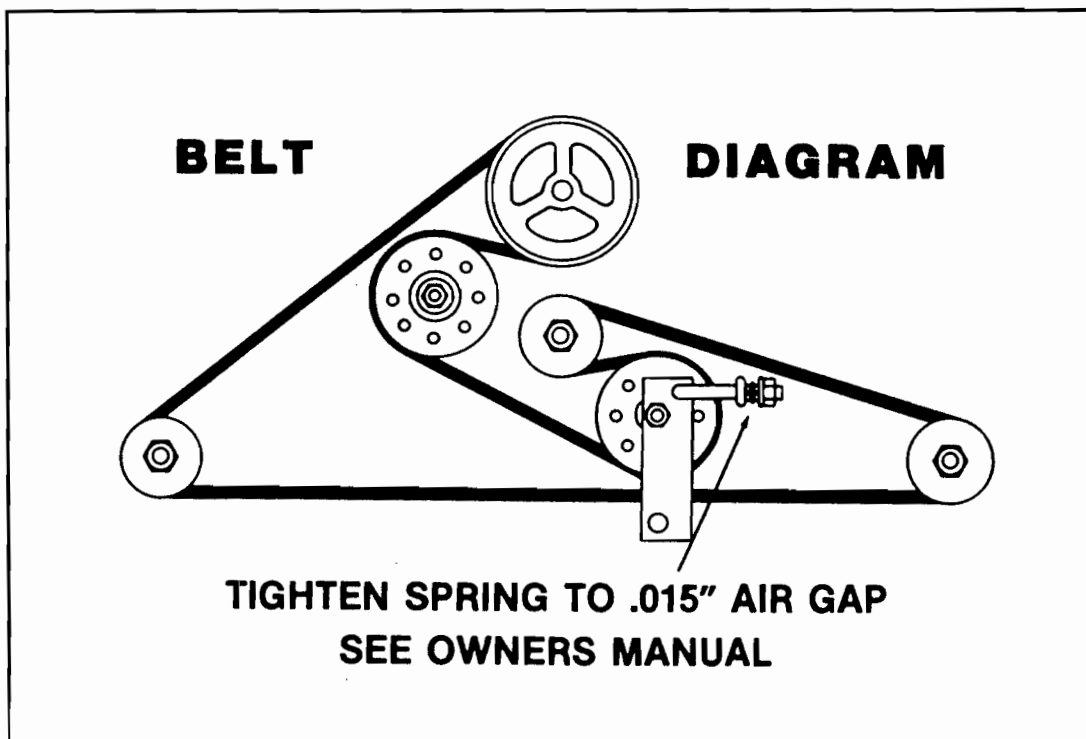


Diagram 1

Adjustment

Height of Cut Adjustment

Lift up on the height adjustment lever and rotate the axle pivot weldment until the lever registers with the slot corresponding to the desired height of cut. The lowest cut position is when the lever is nearest the deck.

Belt Adjustment

Remove the right belt cover.

Unlock the adjusting nuts. See figure 1.

Rotate the inside nut until the air gap in the spring is .010" to .015" (.25mm to .38mm).

Jam the adjusting nuts.

Install the belt cover.

Mower Level Adjustment

Park the tractor on a level, paved surface.

Check and adjust the tractor tire pressure. See the tractor operator's manual.

Move the height of cut lever to the position where the mower will be used.

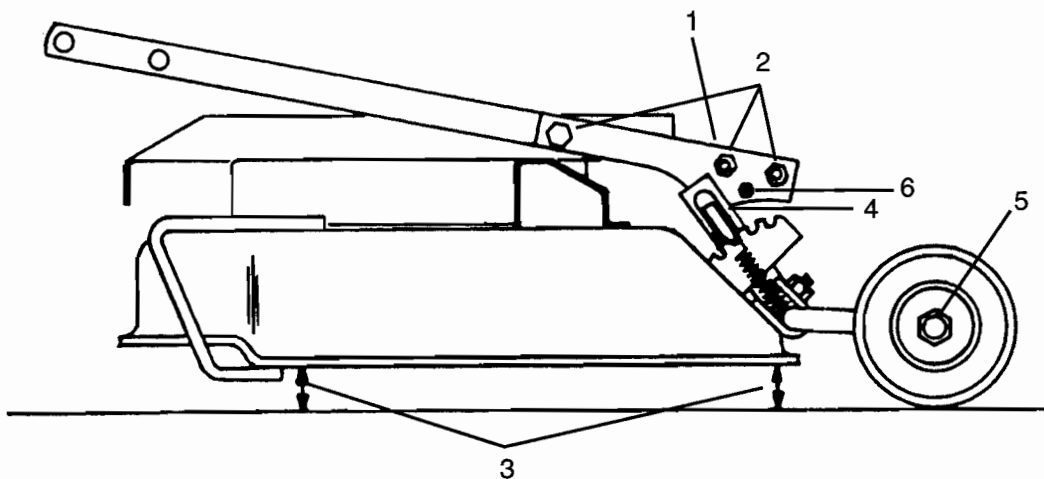
Loosen the bolts which retain the deck leveling cams.

Loosen the jam nut on the eccentric bolts which retain the gauge wheels.

Rotate the eccentric bolts in the gauge wheels until the distance from the rear of the deck to the supporting surface is equal on each side of the mower. See diagram 2.

Adjust the deck leveling cams with the cam until the front edge of the deck to the supporting surface is within .1 inch of the rear distance. See diagram 2. Readjustment of the eccentric bolt in the gauge wheel may be required.

Jam the nuts on the eccentric bolts and tighten the bolts which retain the deck leveling cams.



- | | | | |
|----|-------------------|----|---------------------|
| 1. | Deck Leveling Cam | 4. | Height of Cut Lever |
| 2. | Nuts | 5. | Eccentric Bolt |
| 3. | Measure Height | 6. | Cam |

Diagram 2

Storage

Remove the mower from the tractor and clean.

NOTE: Do not use harsh or abrasive cleaners on any painted surface. Do not allow gasoline or oil to remain on any silk screened surface.

IMPORTANT: NEVER spray unit with water or store unit outdoors to aid in prevention of rust or corrosion. Water can seep into sealed bearings, which are sealed against dirt and debris only, causing reduced component life.

Inspect for damage, wear, loose or missing hardware. Repair as needed.

Sharpen and balance the blades.

Lubricate.

Paint or oil any bare metal surfaces to prevent rust.

Place in a dry area.

Trouble Shooting

Uneven cut

- Mower not level.
- Uneven tractor tire pressure.
- Damaged gauge wheel or axle.
- Damaged pivot arm weldment.
- Bent blade.

Uncut grass

- Dull blade.
- Damaged blade.
- Too low engine speed.
- Mowing tall grass.

Smoke from mower

- Spindle/blade locked.
- Debris wedged against belt.
- Loose belt.

Engine slows when mower is engaged

- Damaged bearing in spindle assembly.
- Damaged bearings/gears in the gear box.

Excessive noise

- Unbalanced blade(s).
- Damaged universal joint
- Damaged gear box bearings/gears.
- Idler bearings.
- Damaged bearings in spindle assembly.

Specifications

	40" Mower	50" Mower
Width of cut	40 in. (1016mm)	50 in. (1270mm)
Weight	169 lbs. (77 kg)	197 lbs. (89 kg)
Height	15 in. (381mm)	15 in. (381mm)
Length	35 in. (889mm)	35 in. (889mm)
Width: Chute Down	50.5 in. (1283mm)	62.0 in. (1575mm)
Chute Up	45.8 in. (1165mm)	53.1 in. (1349mm)

Heights of Cut

Position 1	1.5 inches (38.1mm)
2	2.0 inches (50.8mm)
3	2.5 inches (63.5mm)
4	3.0 inches (76.2mm)
5	3.5 inches (88.9mm)
6	4.0 inches (101.6mm)

Mower Deck Construction 10-gauge welded and bolted steel construction
 with a 3/16 in. (4.8mm) thick reinforcing support plate.

Blades:

Number	3
Dimensions	40" - 13.9 in. (353.1mm) long
.....	20 in. (5.1mm) thick
.....	50" - 17.0 in. (431.8mm) long
.....	20 in. (5.1mm) thick
Description	High lift, heat-treated alloy steel

Spindle Assemblies: 1 in. (25mm) diameter spindle shafts, turning on tapered roller
 bearings, mounted in cast-iron spindle housings

Discharge: Right side (folding discharge chute)

Drive: Telescoping universal joint from PTO to right angle, aluminum
 alloy gearbox with bevel gears and tapered roller bearings. Spindles
 are driven by adjustable, spring-tensioned "A" section V-belt.

Tires:

Size	6 x 2
Description	Semi-pneumatic with 3/4 in. (19mm) ball bearings
.....	and grease fittings.

Set-Up Instructions

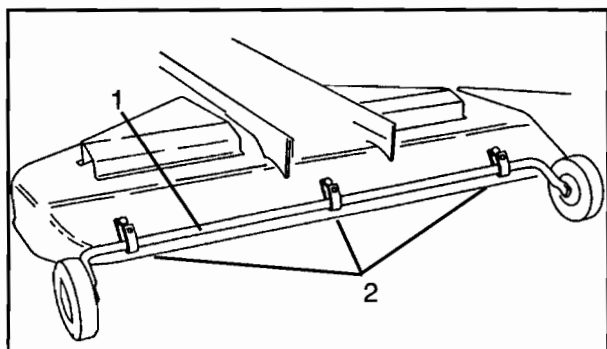
Remove the mower from the shipping container.

Axle Pivot Weldment Installation

Put the axle pivot weldment in position in the axle support brackets. See figure 2.

Put a nylon stop in each axle support bracket with the curved end against the axle pivot weldment. Secure the nylon stops with 3/8 - 16 x 2" carriage bolts from under the deck and 3/8-16 lock nuts.

Put a .125 x 1.25 cotter pin through the hole in the right end of the axle pivot weldment.



1. Axle Pivot Weldment
2. Axle Support Bracket

Figure 2

Height of Cut Lever Installation

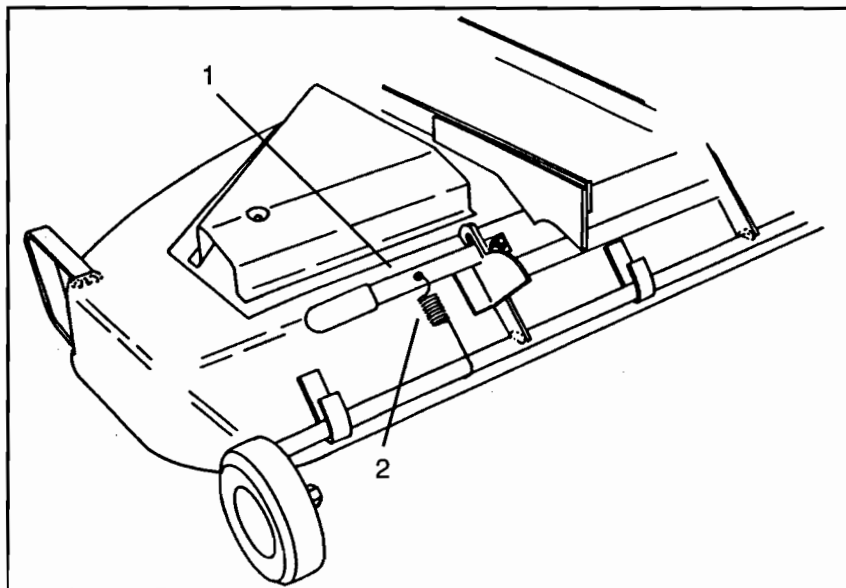
Put the height of cut lever in position on the axle pivot weldment. Secure with a 3/8 bolt from the front side and 3/8 lock nut. See figure 3. Install the spring from the axle pivot weldment to the height of cut lever.

U-Joint Drive Assembly Installation

If the mower is to be used on a Professional 4 Wheel, or 8000 Series long frame tractor, the universal joint drive assembly is positioned in the hole nearest the end of the gear box shaft. If the mower is to be used on an 800 Series, 8000 Series short frame, or a two-wheel tractor, the universal joint drive is positioned in the hole nearest the gearbox. See figure 4.

1. Height Adjustment Lever
2. Spring

Figure 3



Set-Up Instructions (Continued)

To Mount the Mower to the Front Mower (Two-Wheel Tractor)

Remove a pivot arm support from the front mount frame. See figure 8.

Put the front mount frame over the mower and slide the pivot arm shaft into the remaining pivot arm support. See figure 8.

Slide the loose pivot arm support on the vacant pivot arm shaft and bolt to the front mount frame.

Cut the universal joint assembly shaft to the length shown in diagram 5.

The Mower Lift Rod is Installed and Adjusted the First Time the Mower is Mounted on the Four-Wheel Tractor

Put the lift pivot on the lift rod followed by two jam nuts. Leave the nuts loose for adjustment. See diagram 6.

See Lubrication and Maintenance section. Secure the mower in the latch plates.

Lower the attachment lift. Install the lift pivot in the lift arm as shown in diagram 6. Use the first hole in the end of the left arm when mounting on the long frame tractor.

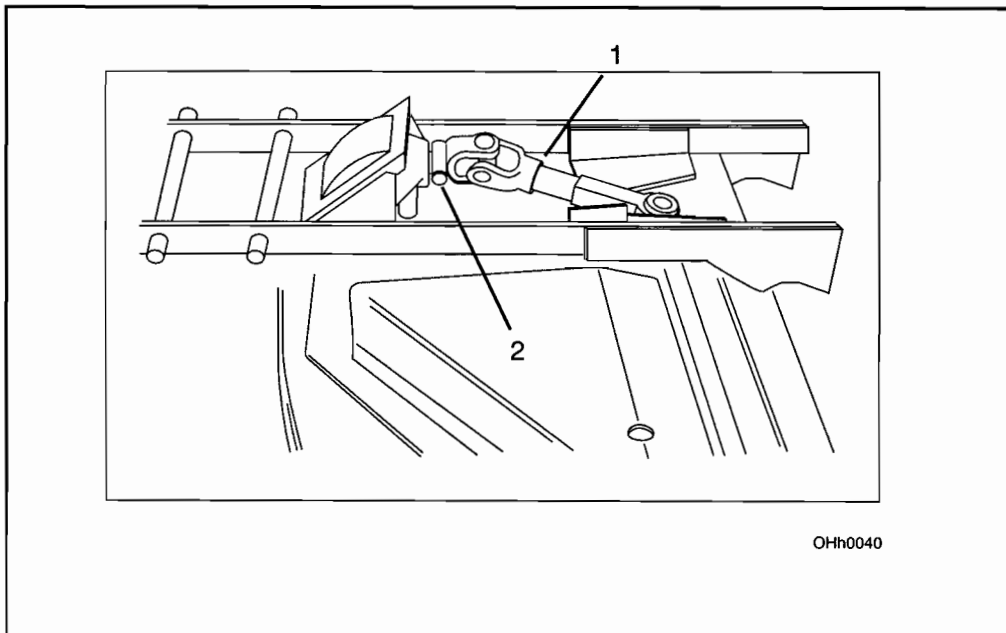
Adjust the mower to the lowest height of cut position. Put the end of the lift rod in the mower eye bolt and secure with a hair pin cotter.

Move the first jam nut to an 1/8" from the lift pivot and lock it in place by jamming with the second nut.

Follow Lubrication and Maintenance section for installation and removal of the mower on the tractor.

There are two 3/8 - 16 hex bolts and hex nuts located on the front of the gear housing support that can be used to level the mower when in the raised position.

Level the Mower the First Time That it is Mounted to the Tractor. See Lubrication and Maintenance Section.



1. U-Joint Female
2. Retaining Bolt

Figure 4

Set-Up Instructions (Continued)

Mower Installation on the Two-Wheel Tractor

Put a film of grease on the quick hitch pin. See figure 5.

Slide the pivot support onto the quick hitch pin and retain with a flat washer and klik pin.

Put a film of grease on the shaft of the universal drive assembly. Slide the shaft into the tube of universal joint (female) assembly.

Pull (or rotate) the locking collar toward the U-joint and slide onto the tractor PTO shaft. Release the locking collar. Pull on the drive to make sure that the drive has locked in place.

To remove the mower, reverse the steps above.

Mower Installation on the Four-Wheel Tractor

For a 40" or 50" center mount mower deck, you may have to drill a 17/32" diameter hole in the

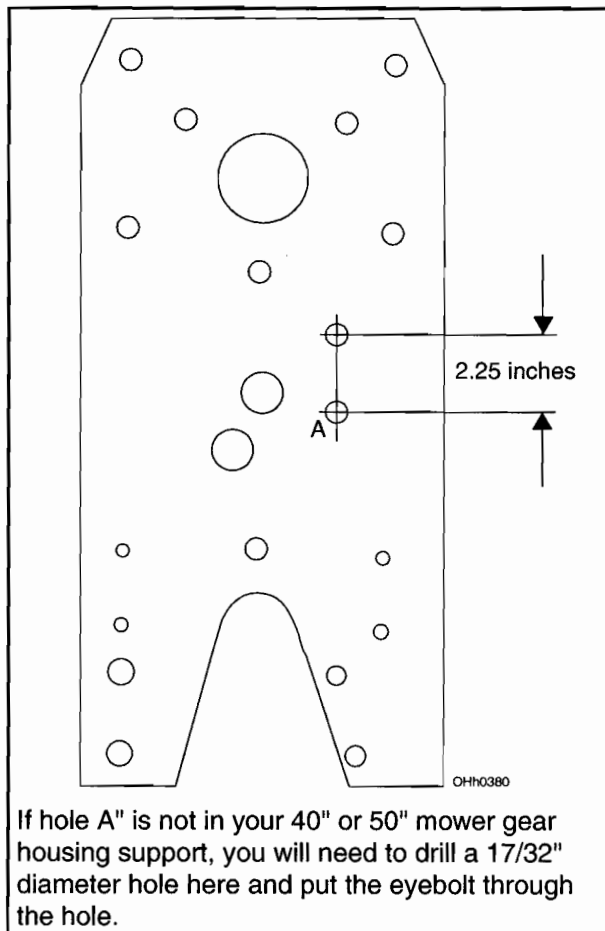


Diagram 3

gear housing support. See Diagram 3 for layout of the part and location of hole. If you need to drill a hole, you will also have to move the eyebolt to this hole. Also, the mower lift pivot will go into the third (last) hole in the lift arm. See Diagram 4.

Install the lift rod on the tractor as shown in Diagram 4. Use the second hole in the end of the lift arm when mounting on a short frame tractor.

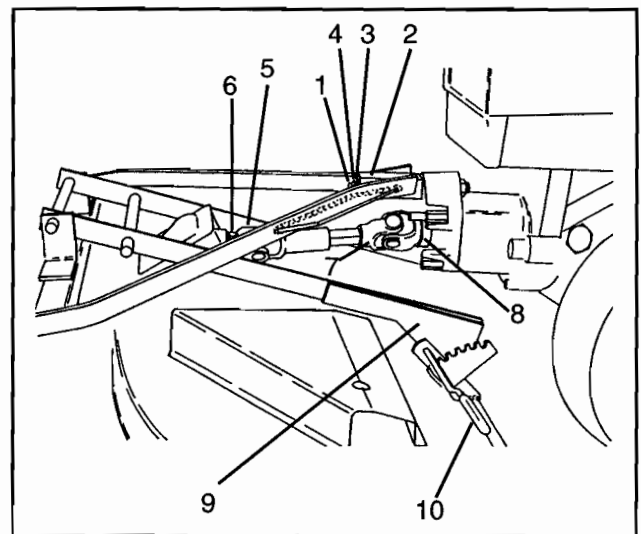
Put a film of grease on the shaft on the universal joint (male) assembly. Slide the shaft into the tube of the universal joint (female) assembly.

Put the height adjustment lever in the lowest cut position (near deck).

Position the tractor with the front wheels behind the mower.

Roll the front of the tractor over the mower. See figure 7.

Put a film of grease on the PTO shaft.



- | | |
|--------------------|---------------------------|
| 1. Quick Hitch Pin | 6. U-Joint Retaining Bolt |
| 2. Pivot Support | 7. U-Joint Male |
| 3. Flat Washer | 8. Locking Collar |
| 4. "Klik" Pin | 9. Deck Leveling Cam |
| 5. U-Joint Female | 10. Height Adjust Lever |

Figure 5

Set-Up Instructions (Continued)

Unlock the universal joint drive assembly locking collar by rotating or pulling toward the drive assembly. Slide the drive assembly on the PTO shaft and release the locking collar. Pull on the drive assembly to make sure it is locked on the PTO shaft.

Lower the attachment lift.

Put the end of the lift rod in the eye bolt on the mower. Secure with a hair pin cotter.

Lift the mower with the attachment lift until the mower pivot arm is near the latch plates.

Open the latch plates and swing the pivot arm into the slots.

Close the latch plates and secure with hair pin cottes. See figure 6.

To remove the mower, reverse the installation procedure.

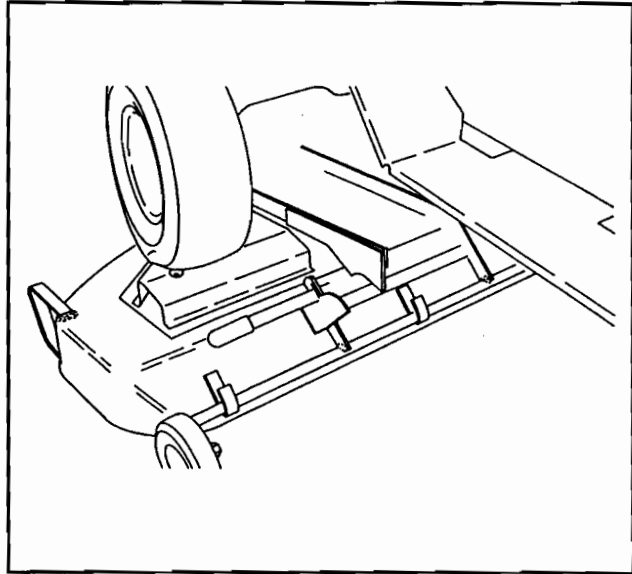
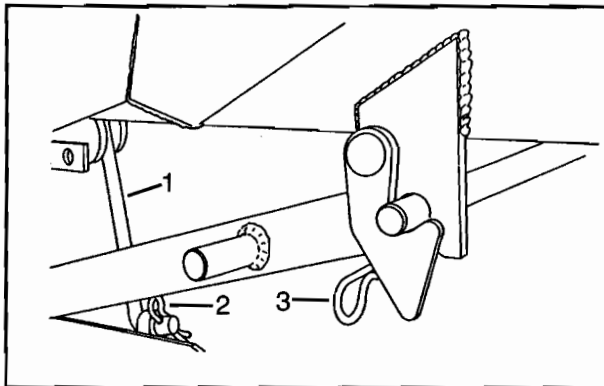
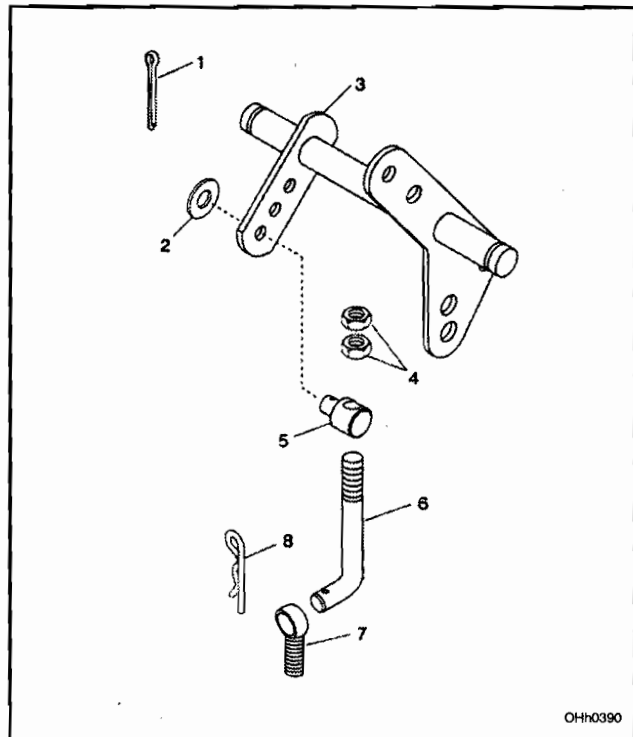


Figure 7



1. Lift Rod
2. Hair Pin Cotter
3. Large Hair Pin Cotter

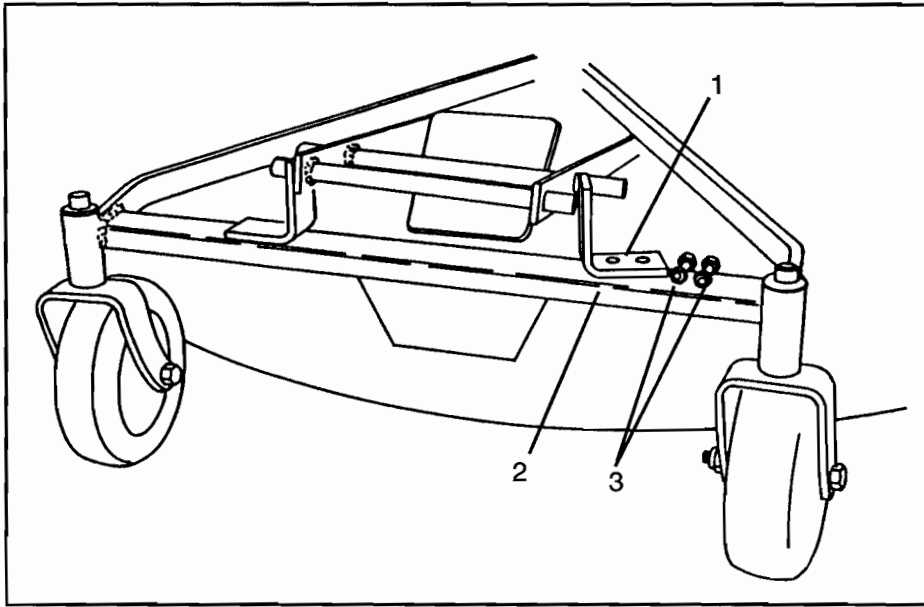
Figure 6



1. Cotter Pin
2. Washer
3. Lift Lever Weldment
4. Jam Nut
5. Mower Lift Pivot
6. Mower Lift Arm
7. Eye Bolt
8. Hair Pin

Diagram 4

Set-Up Instructions (Continued)



1. Pivot Arm Support
2. Front Mount Frame
3. Retaining Bolts

Figure 8

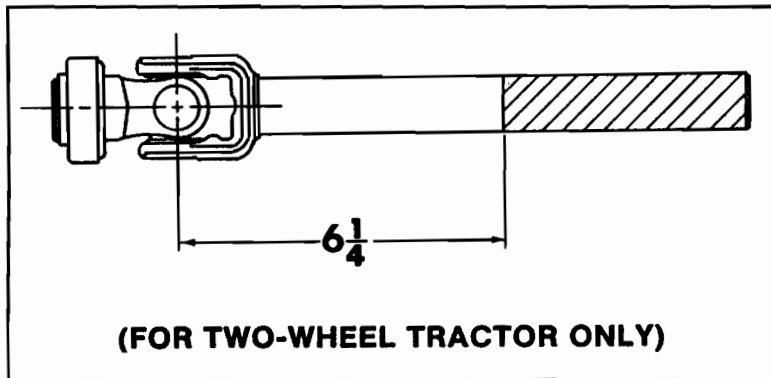
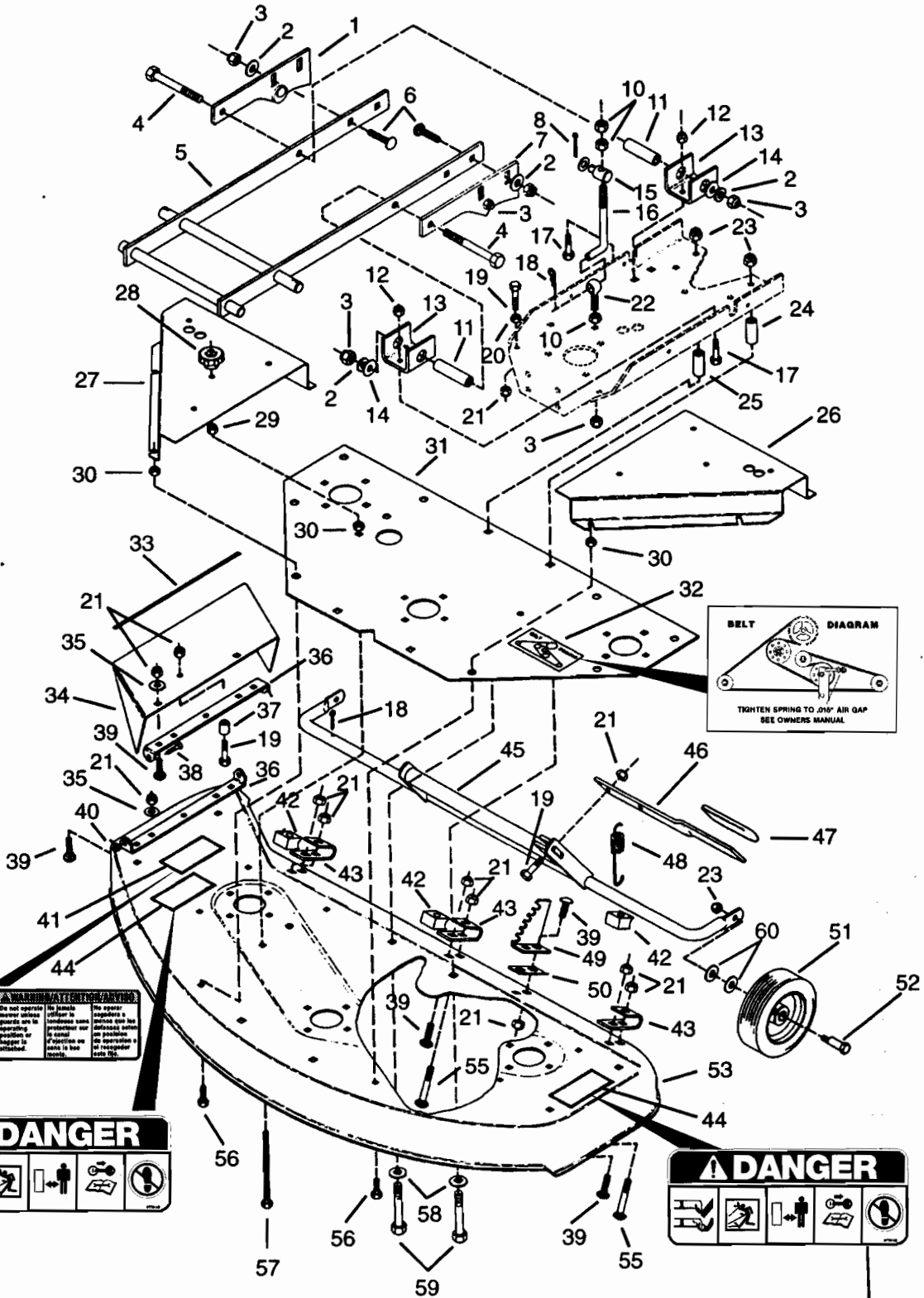


Diagram 5

40" MOWER DECK ASSEMBLY

Models 885005,006



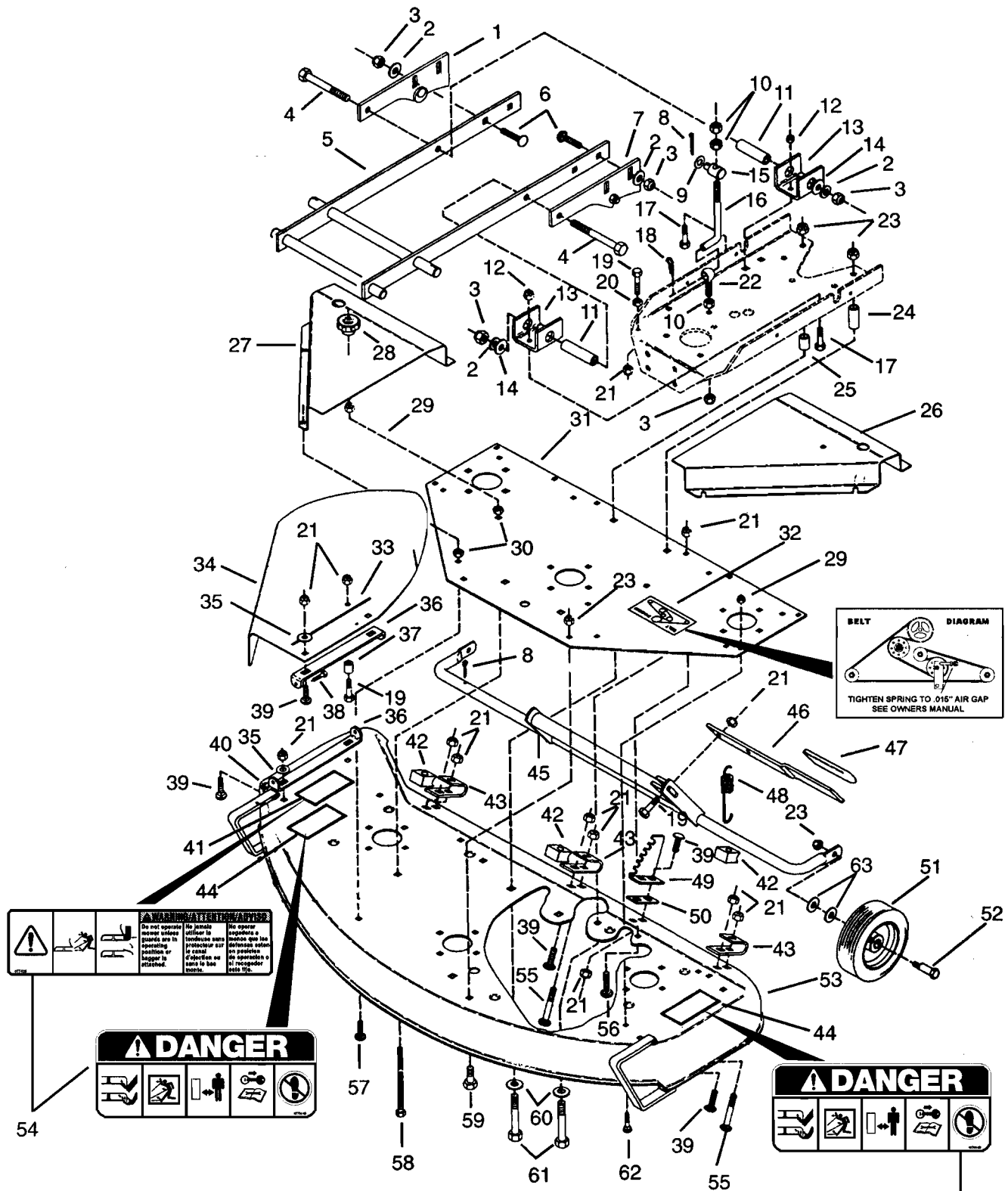
40" MOWER DECK ASSEMBLY

Models 885005,006

Item No.	Part No.	Qty.	Description
1	038986	1	Weldment, Deck Leveling Right Hand
2	415543	6	Washer-Flat-Steel .531 x 1.250 x .100
3	414074	7	Nut-Locking .50-13
4	180191	2	Bolt-Hex .50-13 x 3.25 Grade 5
5	038992	1	Weldment, Pivot Arm
6	126485	4	Bolt-Round Head Square Neck .50-13 x 1.25
7	038988	1	Weldment, Deck Leveling Left Hand
8	120123	2	Pin-Cotter .12 x 1.25
9	417098	1	Washer-Flat-Steel .531 x 1.000 x .063
10	120238	3	Nut-Jam .50-13 Grade 2
11	022414	2	Spacer .510 x .750 x 2.02 Steel
12	413447	4	Nut-Locking .312-18
13	022415	2	Support, Mower Pivot
14	423315	2	Washer-Flat-Steel .813 x 1.370 x .100
15	040625	1	Pivot, Mower Lift
16	019201	1	Rod, Lift
17	180078	4	Bolt-Hex .31-18 x .88 Grade 5
18	015691	1	Pin-Cotter .12 x 2.0
19	180126	4	Bolt-Hex .38-16 x 1.50 Grade 5
20	124829	2	Nut-Jam .375-16
21	456004	16	Nut-Locking-Nylon .375-16 Grade 2
22	019350	1	Bolt, Eye
23	435507	6	Nut-Locking-Nylon .50-13 Grade 5
24	019348	3	Spacer .510 x .840 x 2.437 Steel
25	034119	1	Spacer .560 x .750 x 2.437 Steel
26	040533	1	Cover, Belt Left Hand
27	040532	1	Cover, Belt Right Hand
28	041674	2	Knob
29	419455	2	Nut-Locking-Nylon .312-18 Grade 2
30	124824	10	Nut-Jam .312-18
31	040531	1	Plate, Support
32	011715	1	Decal, Belt Installation
33	038769	1	Stripe
34	038697	1	Chute, 40" Flip-Up
35	120394	4	Washer-Flat-Steel .406 x .812 x .065
36	045664	2	Bracket, Chute 40" Mower
37	038696	1	Bushing-Sleeve .407 x .625 x .750
38	180021	2	Bolt-Hex .25-20 x .875
39	120915	9	Bolt-Round Head Square Neck .38-16 x 1.0
40	419454	2	Nut-Locking-Nylon .250-20 Grade 2
41	07742300		Decal, Mower Pan Danger (Part of item 54)
42	011260	3	Stop, Nylon
43	011264	3	Bracket, Axle Support
44	07731400		Decal, Warning (Part of item 54)
45	046053	1	Weldment, Axle Pivot
46	038990	1	Lever, Height of Cut
47	034067	1	Grip, Handle
48	021471	1	Spring-Tension .095 x .85 x 4.38
49	011265	1	Bracket, Height Adjustment
50	021462	1	Shim, Mower Height Adjuster Bracket
51	034426	2	Tire/Wheel Assembly 6 x 2
52	038985	2	Bolt, Eccentric
53	046224	1	Weldment, 40" Mower Deck
54	63611400	1	Decal, Set-Deck
55	126419	3	Bolt-Round Head Square Neck .38-16 x 2.00
56	180077	8	Bolt-Hex .31-18 x .75 Grade 5
57	040193	2	Bolt-Round Head Square Neck .31-18 x 3.5
58	0120396	4	Washer-Flat-Steel .531 x 1.062 x .095
59	180193	4	Bolt-Hex .50-13 x 3.75
60	06436400	2	Washer-Flat-Steel .511 x 1 .441 x .125

50" MOWER DECK ASSEMBLY

Models 885005,006



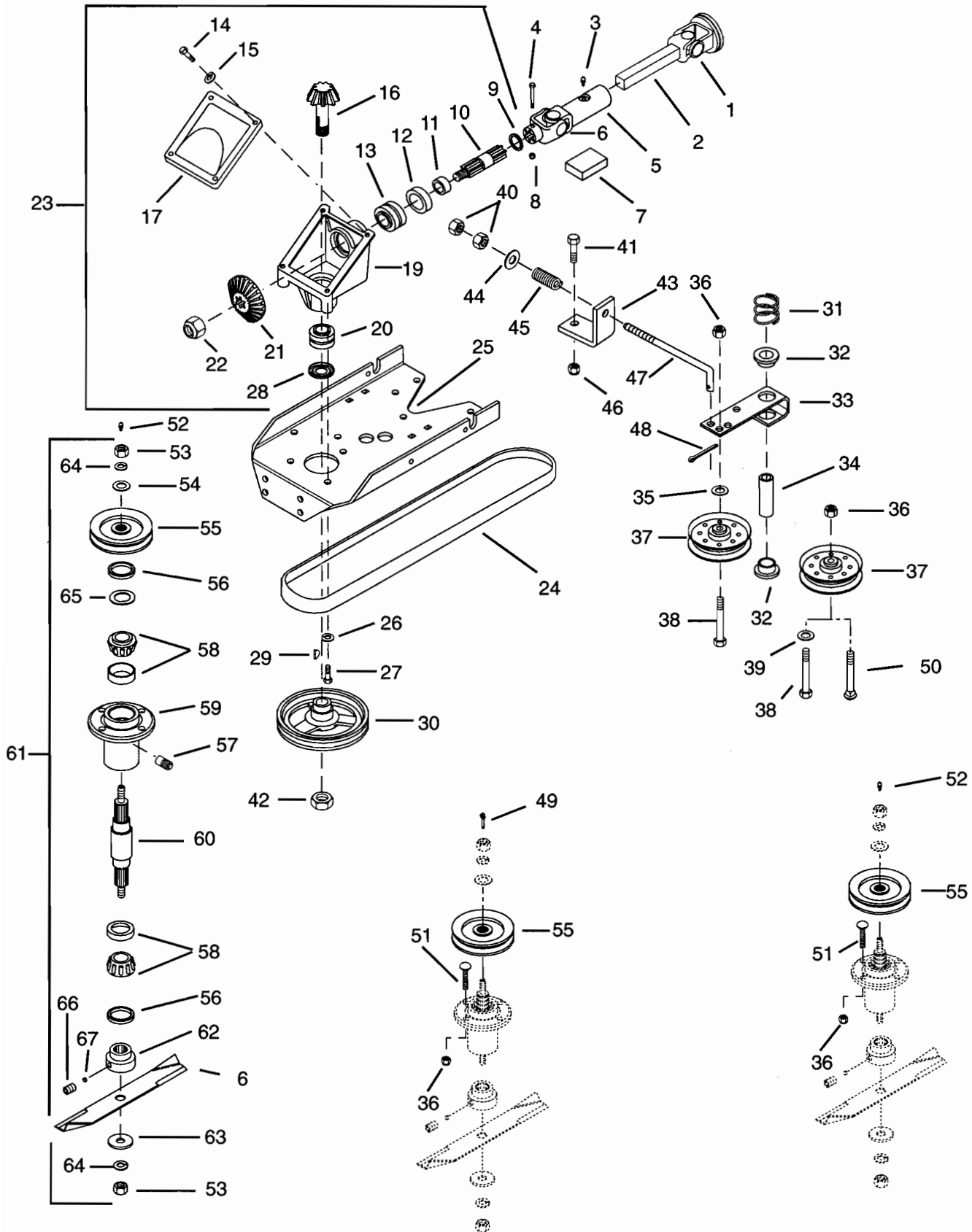
50" MOWER DECK ASSEMBLY

Models 885005,006

Item No.	Part No.	Qty.	Description
1	038986	1	Weldment, Deck Leveling Right Hand
2	415543	6	Washer-Flat-Steel .531 x 1.250 x .100
3	414074	7	Nut-Locking .50-13
4	180191	2	Bolt-Hex .50-13 x 3.25 Grade 5
5	038992	1	Weldment, Pivot Arm
6	126485	4	Bolt-Round Head Square Neck .50-13 x 1.25
7	038988	1	Weldment, Deck Leveling Left Hand
8	120123	2	Pin-Cotter .12 x 1.25
9	417098	1	Washer-Flat-Steel .531 x 1.000 x .063
10	120238	3	Nut-Jam .50-13 Grade 2
11	022414	2	Spacer .510 x .750 x 2.02 Steel
12	413447	4	Nut-Locking .312-18
13	022415	2	Support, Mower Pivot
14	423315	2	Washer-Flat-Steel .813 x 1.370 x .100
15	040625	1	Pivot, Mower Lift
16	019201	1	Rod, Lift
17	180078	4	Bolt-Hex .31-18 x .88 Grade 5
18	015691	1	Pin-Cotter .12 x 2.0
19	180126	4	Bolt-Hex .38-16 x 1.50 Grade 5
20	124829	2	Nut-Jam .375-16
21	456004	18	Nut-Locking-Nylon .375-16 Grade 2
22	019350	1	Bolt, Eye
23	435507	8	Nut-Locking-Nylon .50-13 Grade 5
24	019348	3	Spacer .510 x .840 x 2.437 Steel
25	042988	1	Rod, PTO Control
26	040195	1	Cover, Pulley Left Hand
27	040196	1	Cover, Pulley Right Hand
28	041674	2	Knob
29	419455	8	Nut-Locking-Nylon .312-18 Grade 2
30	124824	10	Nut-Jam .312-18
31	040201	1	Plate, Support
32	011715	1	Decal, Belt Installation
33	038769	1	Stripe
34	038675	1	Shield, Safety External 50" Mower
35	120394	4	Washer-Flat-Steel .406 x .812 x .065
36	045641	2	Bracket, Chute
37	038696	1	Bushing-Sleeve .407 x .625 x .750
38	180021	2	Bolt-Hex .25-20 x .875
39	120915	9	Bolt-Round Head Square Neck .38-16 x 1.0
40	419454	2	Nut-Locking-Nylon .250-20 Grade 2
41	07742300		Decal, Mower Pan Danger (Part of item 54)
42	011260	3	Stop, Nylon
43	011264	3	Bracket, Axle Support
44	07731400		Decal, Warning (Part of item 54)
45	045711	1	Weldment, Axle Pivot
46	038990	1	Lever, Height of Cut
47	034067	1	Grip, Handle
48	021471	1	Spring-Tension .095 x .85 x 4.38
49	011265	1	Bracket, Height Adjustment
50	021462	1	Shim, Mower Height Adjuster Bracket
51	034426	2	Tire/Wheel Assembly 6 x 2
52	038985	2	Bolt, Eccentric
53	046209	1	Weldment, 50" Mower Deck
54	63611400	1	Decal, Set-Deck
55	126419	3	Bolt-Round Head Square Neck .38-16 x 2.00
56	062127	2	Bolt-Round Head Square Neck .375-16 x .75 Grade 1
57	126358	8	Bolt-Round Head Square Neck .31-18 x 1.12
58	040193	2	Bolt-Round Head Square Neck .31-18 x 3.5
59	180175	2	Bolt-Hex .50-13 x 1.25 Grade 5
60	120396	4	Washer-Flat-Steel .531 x 1.062 x .095
61	180193	4	Bolt-Hex .50-13 x 3.75
62	06204100	6	Bolt-Round Head Square Neck .31-18 x .75
63	06436400	2	Washer-Flat-Steel .511 x 1 .441 x .125

40" & 50" MOWER DRIVE

Models 885005,006



OHh0022

40" & 50" MOWER DRIVE

Models 885005,006

Item No.	Part No.	Qty.	Description
1	045954	AR	Q. D. Yoke
2	019074	1	Shaft-Prop Square Bar
3	411027	1	Fitting-Lube .25-28 x .256
4	180044	1	Bolt-Hex .25-20 x 2.00 Grade 5
5	013518	1	Joint-U Female End
6	011234	3	Blade-50" Mower (Standard)
	038947	3	Blade-50" Double Edge (Optional)
	014668	3	Blade-40" Mower
7	012134	1	Kit-Repair U-Joint
8	419454	1	Nut-Locking-Nylon .250-20 Grade 2
9	014642	1	Ring-Retaining 1.106 x .95
10	031412	1	Shaft
11	014641	1	Bushing Flange 1.00 x 1.25 x 1.25
12	014646	1	Seal 1.250 x 1.983 x .250
13	014640	1	Bearing-Assembly 1.000 x 1.980 x 1.243
14	180016	4	Bolt-Hex .25-20 x .50 Grade 5
15	120380	4	Washer-Lock .250
16	045588	1	Shaft-Pinion Gear
17	010982	1	Cover-Gear Housing
19	014636	1	Casting-Gear Box
20	014644	1	Bearing-Assembly .75 x 1.781 x 1.499
21	045587	1	Gear-Bevel
22	456007	1	Nut-Locking-Nylon .75-10 Grade 2
23	08570300	1	Assembly-Gearbox
24	034429	1	V-Belt A-Section (005)
	011216	1	Belt-V (006)
25	045632	1	Support-Gear Housing
26	120384	3	Washer-Lock .50 Regular
27	180173	3	Bolt-Hex .50-13 x 1 Grade 5
28	014645	1	Seal 1.250 x 1.691 x .310
29	431787	1	Key-Woodruff .19 x .63
30	014660	1	Sheave 1/2 x 6.50
31	020444	1	Spring-Compression .085 x .80 x 1.00
32	010174	2	Bushing-Flange .762 x 1.0 x .580 x 1.48
33	034120	1	Arm-Idler Pivot
34	034119	1	Spacer .560 x .750 x 2.437 Steel
35	014672	1	Bushing .406 x .750 x .188
36	456004	14	Nut-Locking-Nylon .375-16 Grade 2
37	021060	2	Pulley-Idler 4.50 x .380
38	180130	2	Bolt-Hex .38-16 x 2.00 Grade 5 (005)
	180130	1	Bolt-Hex .38-16 x 2.00 Grade 5 (006)
39	120388	1	Washer-Flat-Steel .438 x 1.000 x .083 (005)
40	120369	2	Nut-Hex .375-24 Grade 2
41	180177	1	Bolt-Hex .50-13 x 1.50 (006)
	180176	1	Bolt-Hex .50-13 x 1.375 (005)
42	451539	1	Nut-Hex-Jam .750-10
43	034431	1	Support-Spring
44	120394	1	Washer-Flat-Steel .406 x .812 x .065
45	011779	1	Spring-Compression .125 x .78 x 1.00
46	435507	1	Nut-Locking-Nylon .50-13 Grade 5

40" & 50" MOWER DRIVE

Models 885005,006

Item No.	Part No.	Qty.	Description	S/N Break
47	021111	1	Rod, Idler 50 In. Mower (006)	
	021112	1	Rod, Idler 40 In. Mower (005)	
48	121224	1	Pin-Cotter .09 x 1.0	
49	021214	1	Fitting-Lube .125	
50	126416	1	Bolt-Round Head Square Neck .38-16 x 1.75 (006)	
51	126402	12	Bolt-Round Head Square Neck .38-16 x 1.25	
52	411010	2	Fitting-Lube 1/8	
53	124589	6	Nut-Hex .625-11 Grade 2	B
	418692	6	Nut-Locking-Nylon .625-11 Grade 2	A
54	033845	3	Washer-Flat-Steel .687 x 1.312 x .150	
55	08896200	3	Sheave (005)	
	08894900	3	Sheave (006)	
56	05613000	6	Seal 1.987 x 1.375 x .313	
57	08896800	3	Relief Fitting-Grease	
58	038199	6	Assembly, Bearing Cup & Cone	
59	08894500	3	Bearing Housing	
60	021216	3	Shaft, Spindle	
61	58802300	AR	Service Kit Spindle Assembly (Contains 1ea. of Items 54,57, 59,60,62,63,65,66,67; 2 ea. of Items 53,56,58,64)	
62	08886500	3	Hub	B
	08798300	3	Weldment, Blade Cradle	A
63	06435200	3	Washer	B
	131016	3	Washer-Flat-Steel .656 x 1.312 x .095	A
64	06300700	6	Washer-Locking .625 x .156	B
65	06416600	3	Washer-Flat-Steel 1.007 x 1.542 x .062	B
66	06005400	3	Screw-Set .25-20 x .25	B
67	03191400	3	Plug	B
NS	036799	AR	Spring	
NS	036800	AR	Collar	
NS	036801	AR	Ring Snap	
NS	145643	AR	Ball, .375 Guard 2000	

A = 885005 S/N 000367 - 000386
885006 S/N 003998 - 004320

B = 885005 S/N 000387 and up
885006 S/N 004321 and up



Gravely Division of Ariens Company

655 West Ryan Street
P.O. Box 157
Brillion, WI 54110-0157
920-756-2141
Fax 920-756-2407

2 Year Limited Warranty

Ariens Company hereby warrants to the original consumer purchaser that all Gravely Two-Wheel, Professional G, Pro, and ProMaster products will be free from defects in material and workmanship for a period of two (2) years from the date of purchase or 1000 hours, whichever comes first.

Protection Plan

Ariens Company will repair or replace any part found upon examination by the Ariens Company to be defective. Such repair or replacement will be free of charge to the purchaser (labor and parts), except as noted below.

This warranty is subject to the following exceptions, conditions, and limitations:

Usage Requirement

The duration of this warranty shall be ninety days or 1000 hours, whichever comes first, if the product is rented or leased.

Purchaser's Responsibilities

- The purchaser must perform maintenance & minor adjustments per the operator's manual.
- The purchaser must notify Ariens Company or an authorized Gravely service representative of the need for warranty service.
- The purchaser must transport the product to and from the place of warranty repair.

Product Registration

- The Gravely dealer must fill out and return the warranty registration card to validate the warranty.

Service Parts and Accessories

- Service parts and accessories not purchased with the product covered by this warranty are warranted to be free of defects for a period of ninety (90) days following the date of purchase, and will be replaced free of charge (except for labor).

Service

- Warranty service must be done by an authorized Gravely dealer. To find a Gravely dealer near you, contact Ariens Company.

Battery Warranty Prorated

- One to three months - Free replacement
- Four to twelve months - Prorated over 12 months

Exclusions (No Warranty)

- Normal maintenance, services, and normal replacement items, such as spark plugs, oil, oil filters, air filters, mufflers, belts, tires, shoes, runners, scraper blades, shear bolts, mower blades, mower vanes, headlights, light bulbs, knives, etc. are not covered by this warranty.
- Any equipment which has been altered, misused, misassembled, improperly adjusted, neglected, or damaged by accident is not covered by this warranty.
- Service completed by someone other than an authorized Gravely dealer is not covered by this warranty.
- Any attachment not approved by Gravely nor any parts that are not genuine Gravely service parts are not covered by this warranty.
- Engines and engine accessories are covered only by the warranty made by the engine manufacturer, and are not covered by this warranty.
- This warranty applies only to products purchased in the United States (including Puerto Rico) and Canada. In all other countries, contact place of purchase.

Ariens Company may from time to time change the design of its products. Nothing contained in this warranty shall be construed as obligating Ariens Company to incorporate such design changes into previously manufactured products, nor shall such changes be construed as an admission that previous designs were defective.

LIMITATION OF REMEDY AND DAMAGES

Ariens Company's liability under this express warranty, and under any implied warranty that may exist, is limited to repair or replacement of any defective part. In no event shall Ariens Company be liable for incidental, special, or consequential damages (including lost profits). This warranty gives you specific legal rights. You may also have other rights which vary from state to state. Some states do not allow the exclusion of incidental or consequential damages, or limitations on how long an implied warranty lasts, so the above limitations and exclusions may not apply to you.

DISCLAIMER OF FURTHER WARRANTY

Ariens Company makes no warranty other than what is expressly made in this warranty. If the law of your state provides that an implied warranty of merchantability, or an implied warranty of fitness for a particular purpose, applies to Ariens Company, any such implied warranty is limited to the duration of this express warranty.