

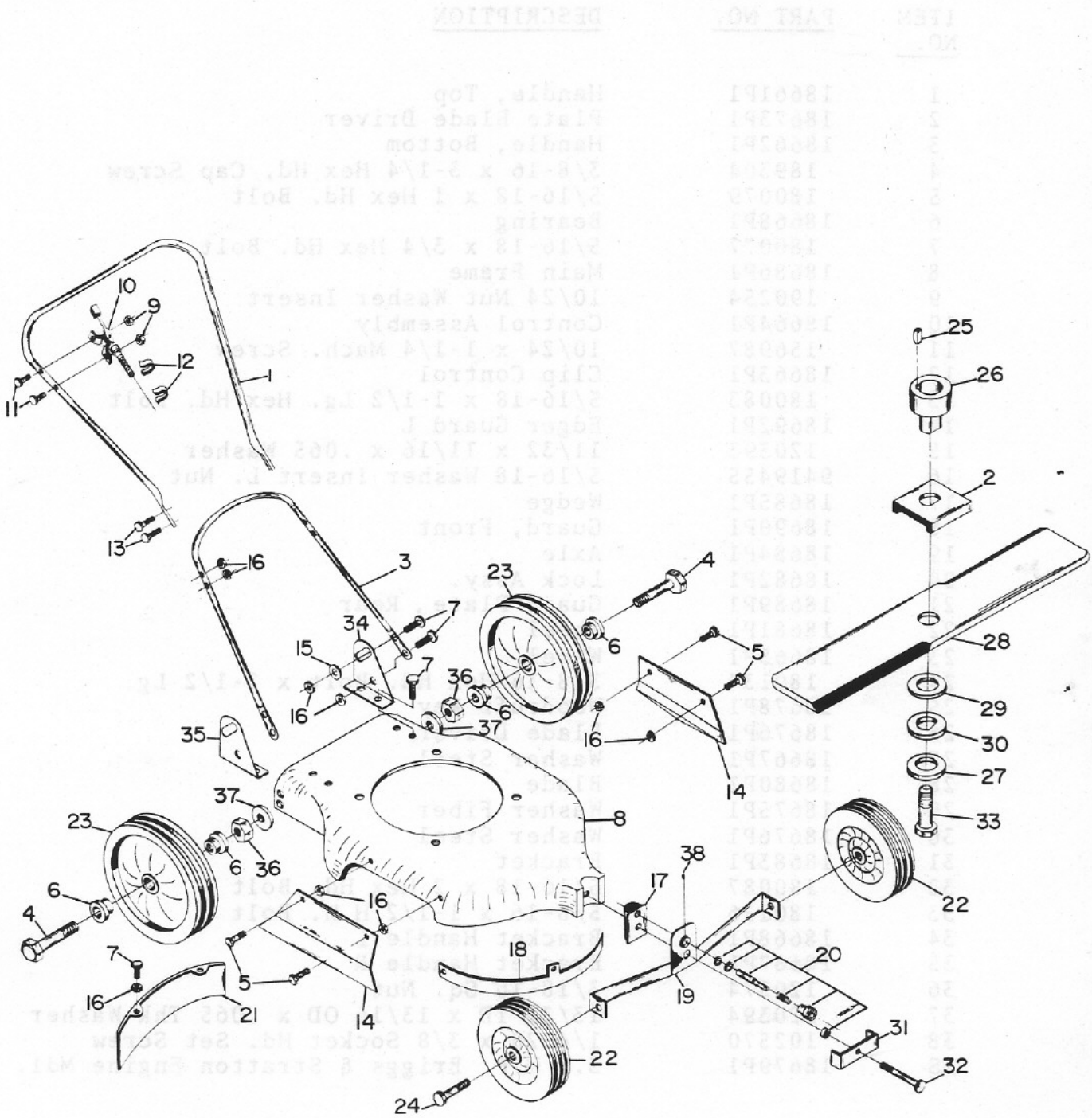


To continue its program of quality and design improvement, the manufacturer reserves the right to change specifications, design or prices without notice and without incurring obligation.

# ILLUSTRATED PARTS LIST

18" TRIMMER

Model No. 18643E1  
 Effective Date 3-01-71  
 Form No. 18694P1



ILLUSTRATED  
PARTS LIST

GRAVELLY

Model No. 186341  
Effective Date 3-01-71  
Form No. 186341

<u>ITEM NO.</u>	<u>PART NO.</u>	<u>DESCRIPTION</u>
1	18661P1	Handle, Top
2	18673P1	Plate Blade Driver
3	18662P1	Handle, Bottom
4	189304	3/8-16 x 3-1/4 Hex Hd. Cap Screw
5	180079	5/16-18 x 1 Hex Hd. Bolt
6	18668P1	Bearing
7	180077	5/16-18 x 3/4 Hex Hd. Bolt
8	18686P1	Main Frame
9	190254	10/24 Nut Washer Insert
10	18664P1	Control Assembly
11	156987	10/24 x 1-1/4 Mach. Screw
12	18663P1	Clip Control
13	180083	5/16-18 x 1-1/2 Lg. Hex Hd. Bolt
14	18692P1	Edger Guard L
15	120393	11/32 x 11/16 x .065 Washer
16	9419455	5/16-18 Washer Insert L. Nut
17	18685P1	Wedge
18	18690P1	Guard, Front
19	18684P1	Axle
20	18682P1	Lock Assy.
21	18689P1	Guard Plate, Rear
22	18681P1	Wheel
23	18665P1	Wheel
24	180134	3/8-16 Hex Hd. Bolt x 2-1/2 Lg.
25	18678P1	Woodruff Key
26	18676P1	Blade Driver
27	18667P1	Washer Steel
28	18680P1	Blade
29	18675P1	Washer Fiber
30	18676P1	Washer Steel
31	18683P1	Bracket
32	180087	5/16-18 x 2 Hex Hd. Bolt
33	180126	5/8-16 x 1-1/2 H.H. Bolt
34	18668P1	Bracket Handle L
35	18687P1	Bracket Handle R
36	120374	3/18-16 Sq. Nut
37	120394	13/32 ID x 13/16 OD x .065 Thk Washer
38	102570	1/4-20 x 3/8 Socket Hd. Set Screw
NS	18679P1	3.5 H.P. Briggs & Stratton Engine Md1. 92909